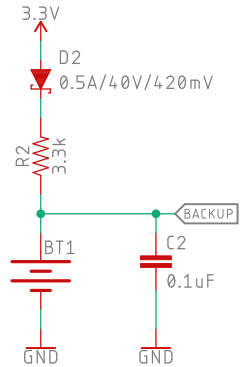
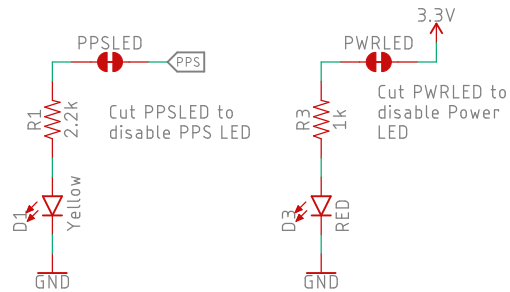


### Configuration Backup

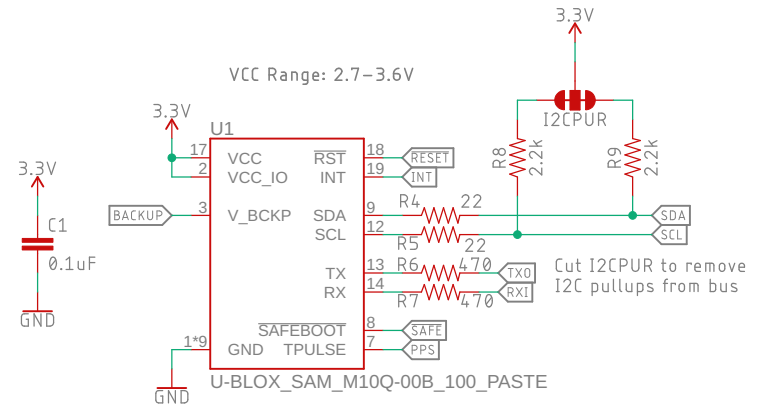


Battery Initial Charge: 2.8–3.3V  
 Initial Battery Capacity: 1.5 mAh  
 Battery Charge Rate: 0.03mA MAX  
 Voff: 2.0V  
 120 hours charge time from 2.0–3.1V

### LEDs

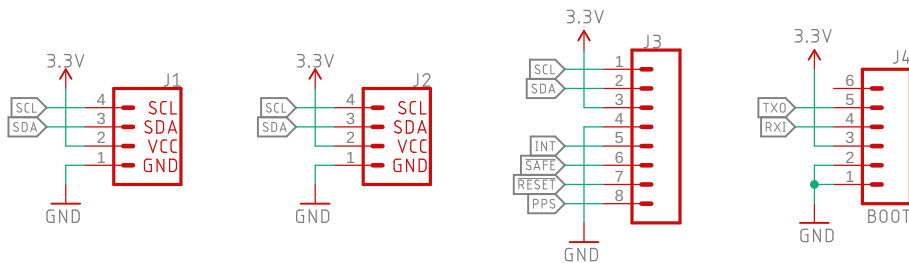


### u-blox SAM-M10Q Module



7-bit unshifted I2C address: 0x42

### Connectors



Released under the Creative Commons Attribution Share-Alike 4.0 License  
<https://creativecommons.org/licenses/by-sa/4.0/>

TITLE: SparkFun\_u-blox\_SAM-M10Q

Design by: Alex Brudner  
 Based on the SparkFun u-blox SAM-M8Q  
 by N. Seidle & E. Santistevan

REV:  
v10

Date: 3/14/2023 1:23 PM

Sheet: 1/1