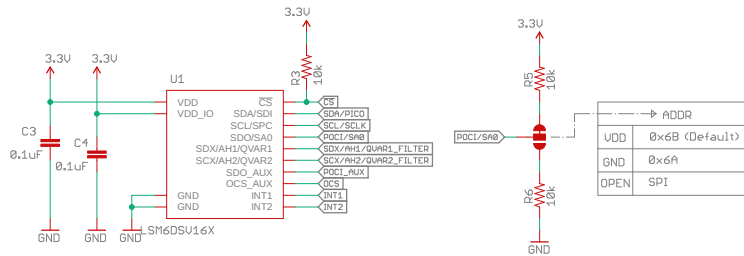


6DoF IMU - LSM6DSU16X

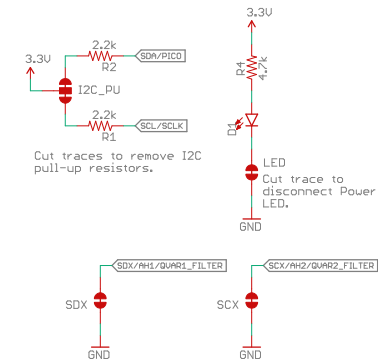
VDD Range: 1.71V - 3.6V
VDDIO Range: 1.62V - 3.6V

I2C Address (selectable): 0x6B (Default)



LSM6DSU16 MODES
MODE1: Peripheral-only mode
I2C or SPI
MODE2: Sensor Hub mode
I2C or SPI with controller I2C port
MODE 3 and 4: AUX SPI mode
I2C and SPI access (Multi-read)

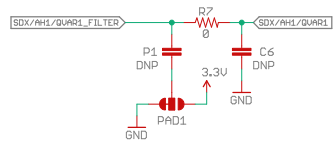
Jumpers



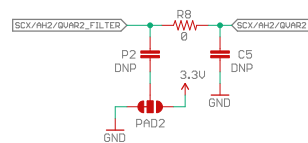
If using Mode 2 (Sensor Hub Mode), or analog capabilities of sensor, cut both traces.

Analog In (QVar) - Filter Circuit

Cut SCX and SDX jumpers to utilize analog input capabilities (see "Jumpers" section).

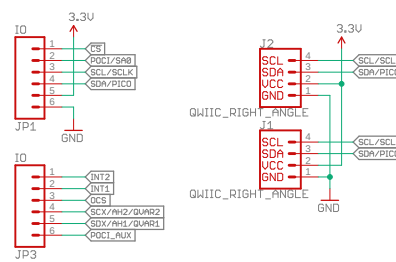


You can select whether P1 is tied to GND (0) or tied to 3v3 (1) using the PAD1 jumper.



You can select whether P2 is tied to GND (0) or tied to 3v3 (1) using the PAD2 jumper.

Connectors



Some suggested configurations might include a voltage divider or capacitor-resistor-diode. More information can be found in the "QVAR Sensing Channel" application note found here: <https://www.st.com/en/mems-and-sensors/lsm6dsuv16x.html#>



Released under the Creative Commons Attribution Share-Alike 4.0 License
<https://creativecommons.org/licenses/by-sa/4.0/>

TITLE: SparkFun_6DoF_LSM6DSU16X

Design by: Elias Santistevan REU: v10

Date: 4/12/2023 10:23 AM Sheet: 1/1