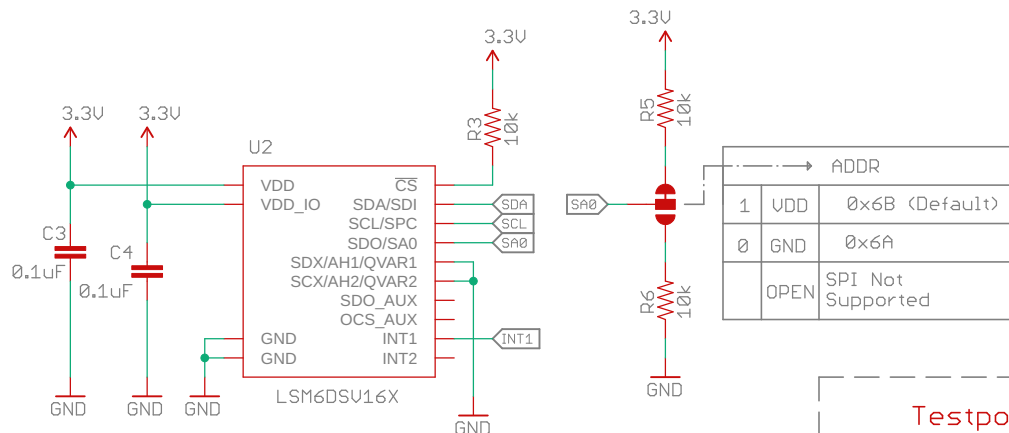


6DoF IMU - LSM6DSU16X

VDD Range: 1.71V - 3.6V

VDDIO Range: 1.62V - 3.6V

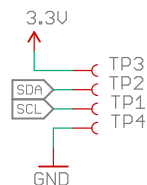
I2C Address (selectable): 0x6B (Default)



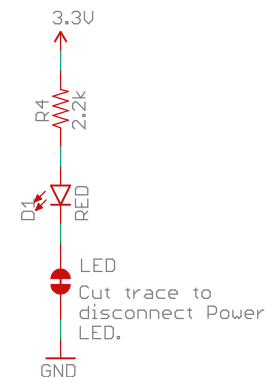
LSM6DSU16X MODES
MODE1: Peripheral-only mode
I2C or SPI

ADDR	MODE
1	VDD 0x6B (Default)
0	GND 0x6A
OPEN	SPI Not Supported

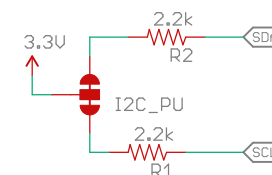
Testpoints



Jumpers

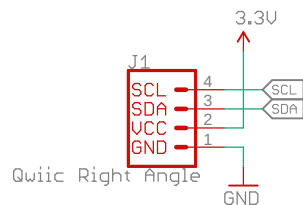
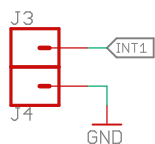


Cut traces to remove I2C pull-up resistors.



Connectors

PTH connectors only
accept 22AWG or smaller



Released under the Creative Commons

Attribution Share-Alike 4.0 License

<https://creativecommons.org/licenses/by-sa/4.0/>



TITLE: SparkFun_Micro_6DoF_LSM6DSU16X

Design by: Elias Santistevan

REV:
v10

Date: 4/12/2023 10:23 AM

Sheet: 1/1