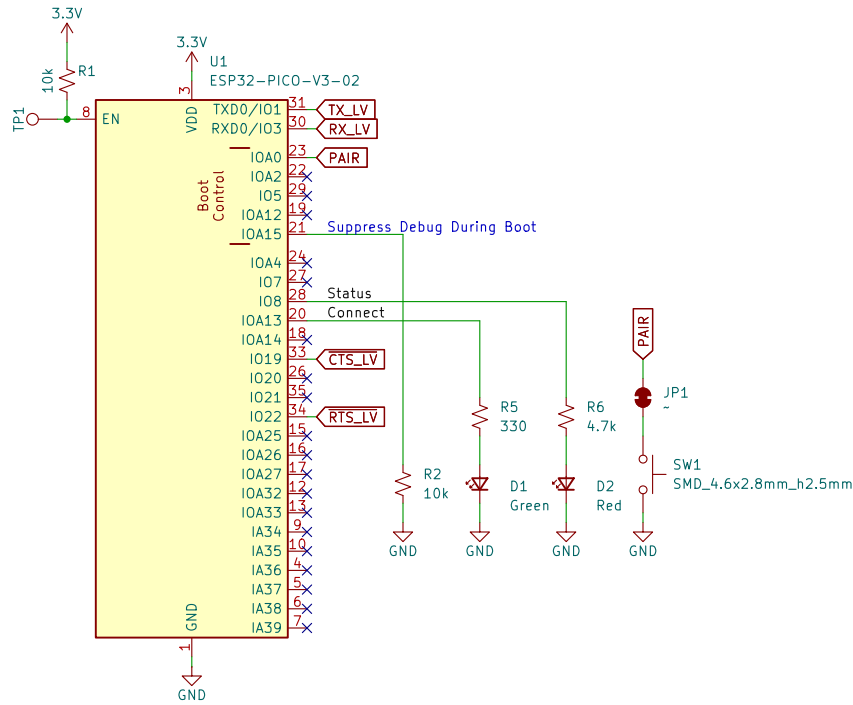
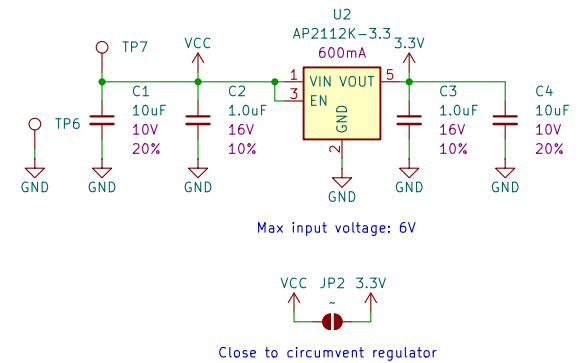


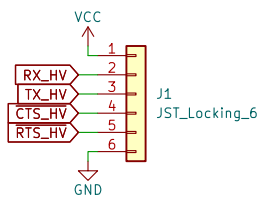
ESP32 Pico Mini



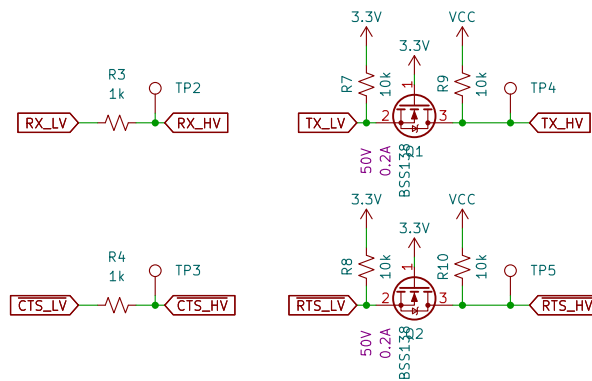
Voltage Regulation



Connector



Level Translation



Designed by: Wes Furuya

SparkFun Electronics

Sheet: /

File: SparkFun_BlueSMiRF-v2-JST.kicad_sch

[Ordering Instructions](#)

Title: SparkFun BlueSMiRF v2 JST

Size: USLetter | Date: 2025-12-04

Rev: v10

KiCad E.D.A. 9.0.3

Id: 1/1