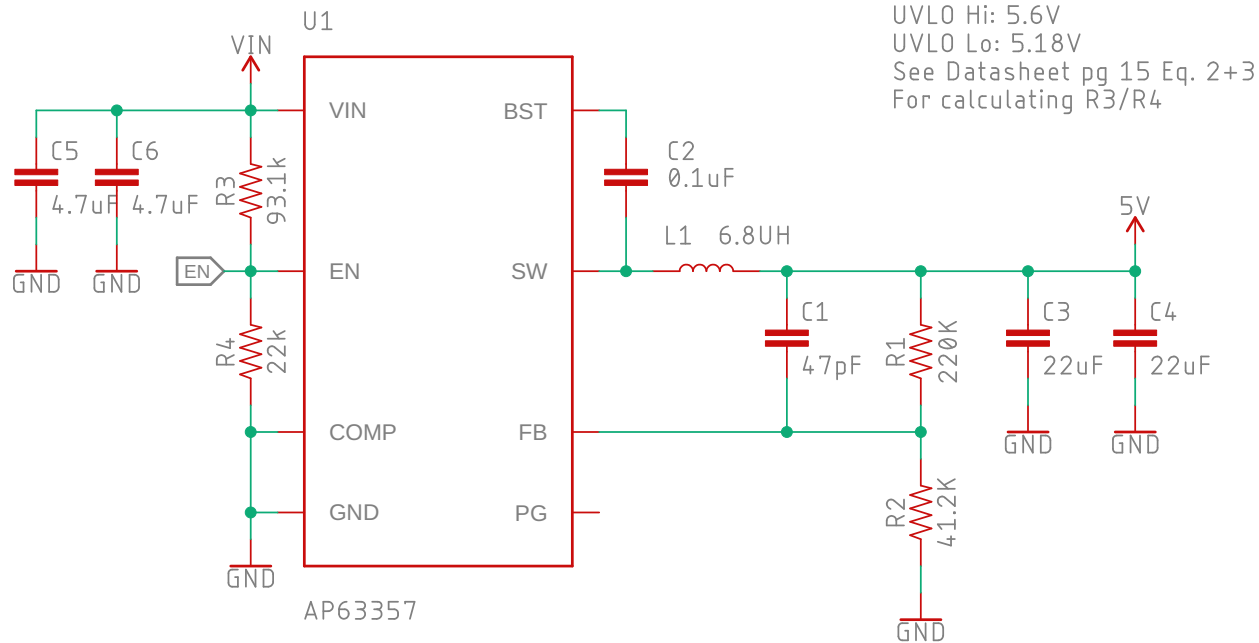


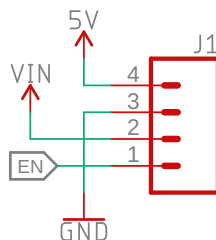
# 5V Switching Buck Regulator – AP63357



Input Range: 6V to 32V  
 Output Current: 3.5A MAX



## Connector



Released under the Creative Commons Attribution Share-Alike 4.0 License  
<https://creativecommons.org/licenses/by-sa/4.0/>



TITLE: SparkFun\_Buck\_Regulator\_AP63357DV-7\_BabyBuck5V

Design by: Alex Brudner

REV:  
v10

Date: 1/5/2023 8:40 AM

Sheet: 1/1