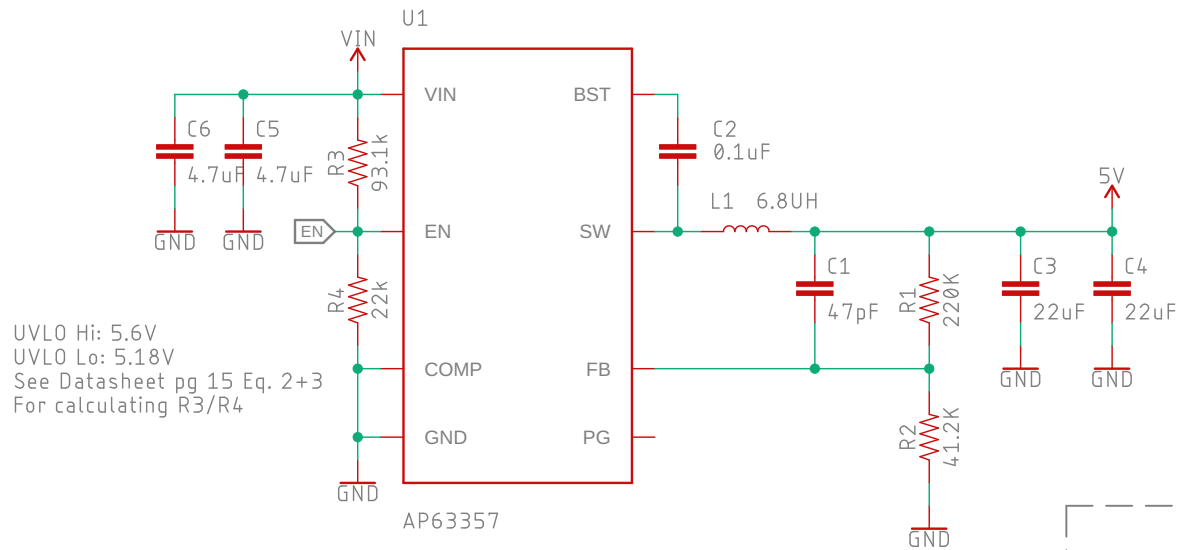


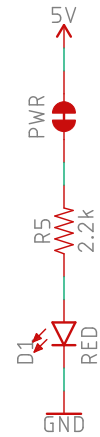
5V Switching Buck Regulator – AP63357

Power LED

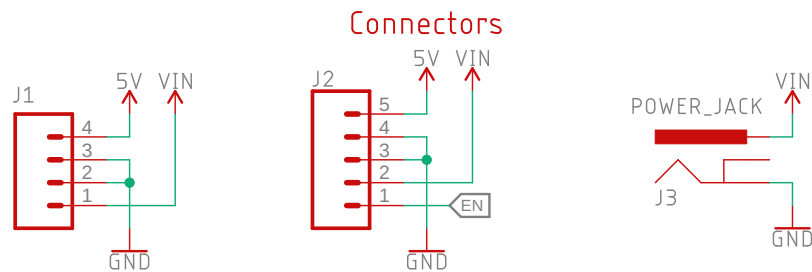


UVLO Hi: 5.6V
 UVLO Lo: 5.18V
 See Datasheet pg 15 Eq. 2+3
 For calculating R3/R4

Input Range: 6V to 32V
 Output Current: 3.5A MAX



Cut trace to disconnect LED.



Released under the Creative Commons

Attribution Share-Alike 4.0 License

<https://creativecommons.org/licenses/by-sa/4.0/>



TITLE: SparkFun_Buck_Regulator_AP63357DV-7_Buck5V

Design by: Alex Brudner

REV:
v10

Date: 1/5/2023 8:40 AM

Sheet: 1/1