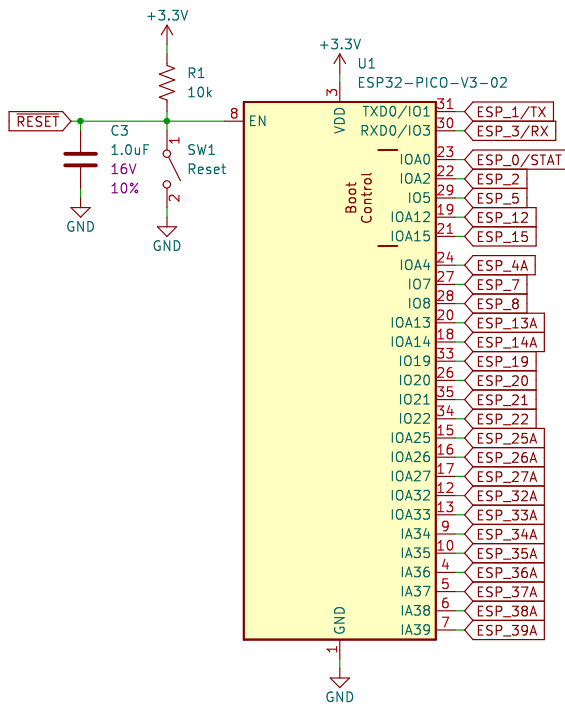
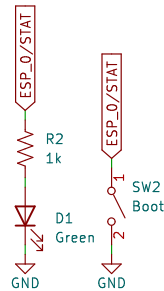


# ESP32 Pico Mini

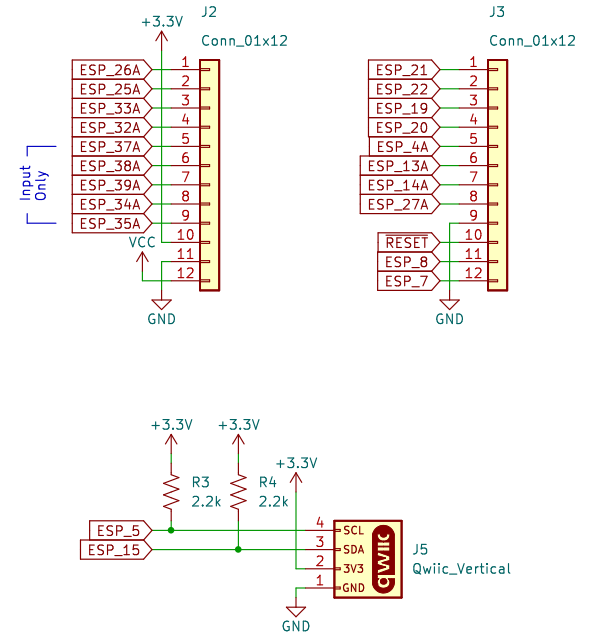


Use boot control pins with caution: 0, 2, 5, 12, 15  
 IO0: Avoid device connections. Can be used a stat LED.  
 IO2: Avoid external pullups – will cause bootloader fail.  
 IO5: SDIO peripheral control. Has builtin pullup at POR.  
 IO12: Avoid external pullups – will cause bootloader fail.  
 IO15: Suppress output at POR. Has builtin pullup at POR.

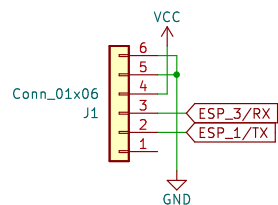


ESP32-PICO-MINI-02-N8R2 (8MB flash, 2MB PSRAM)

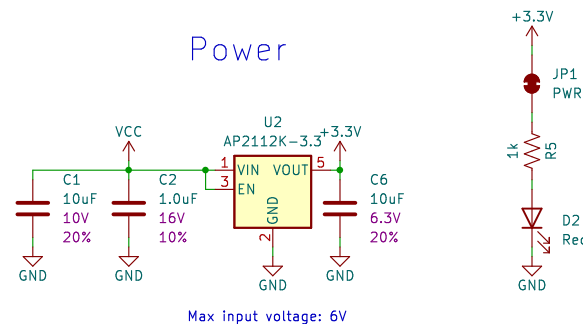
## Connectors



## USB to Serial



## Power



Max input voltage: 6V



Designed by: N. Seidle

Sheet: /  
 File: SparkFun\_ESP32\_Qwiic\_Pro\_Mini.kicad\_sch

[Ordering Instructions](#)

**Title: SparkFun ESP32 Qwiic Pro Mini**



Size: USLetter Date: 2023-09-18  
 KiCad E.D.A. kicad 7.0.8

Rev: v12  
 Id: 1/1