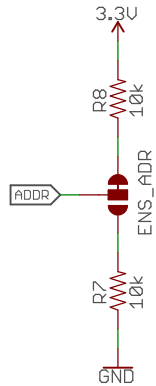
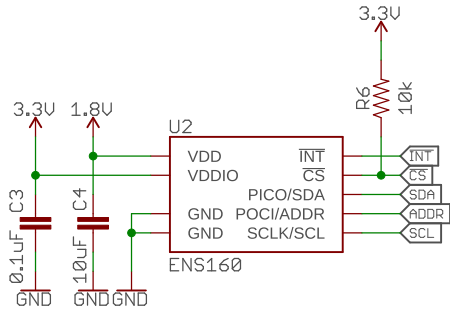


### Digital Air Quality Sensor - ENS160

VDD Range: 1.71V - 1.98V  
VDDIO Range: 1.71V - 3.6V

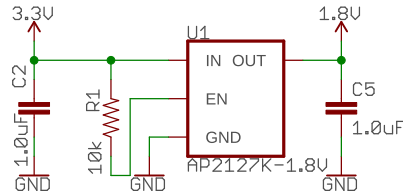


VDD	0x53 (Default)
GND	0x52
OPEN	Undefined

7-bit Unshifted

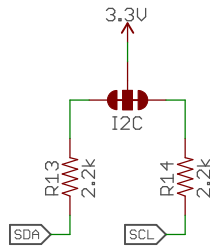
### Voltage Regulation AP2127K

Input Range: 2.6V - 6V



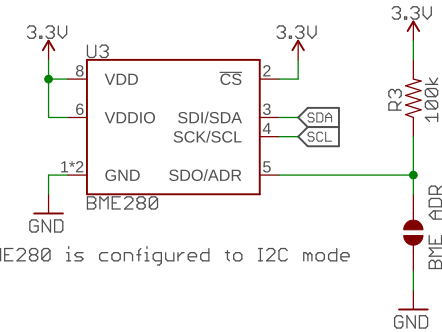
### I2C Pullups

Clear I2C Jumper  
To remove pullups



### BME280 - Humidity, Pressure, Temperature

VDD Range: 1.71V - 3.6V  
VDDIO Range: 1.2V - 3.6V

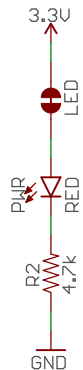


BME280 is configured to I2C mode

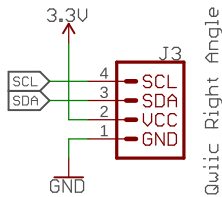
BME\_ADDR sets the I2C address of the BME280.  
Open (Default) - 0x77  
Closed - 0x76

### Power LED

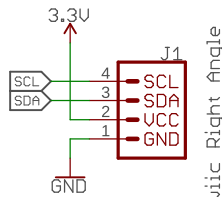
Clear LED Jumper  
to disable Power LED



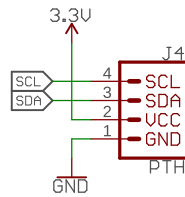
### Connectors



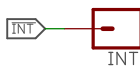
Qwiic Right Angle



Qwiic Right Angle



PTH



Released under the Creative Commons

Attribution Share-Alike 4.0 License

<https://creativecommons.org/licenses/by-sa/4.0/>



TITLE: SparkFun\_ENS160\_BME280\_Breakout

Design by: Nathan Seidle

REV:

Revision By: Andrew England, P. Lewis

V11

Date: 8/1/2023 12:24 PM

Sheet: 1/1