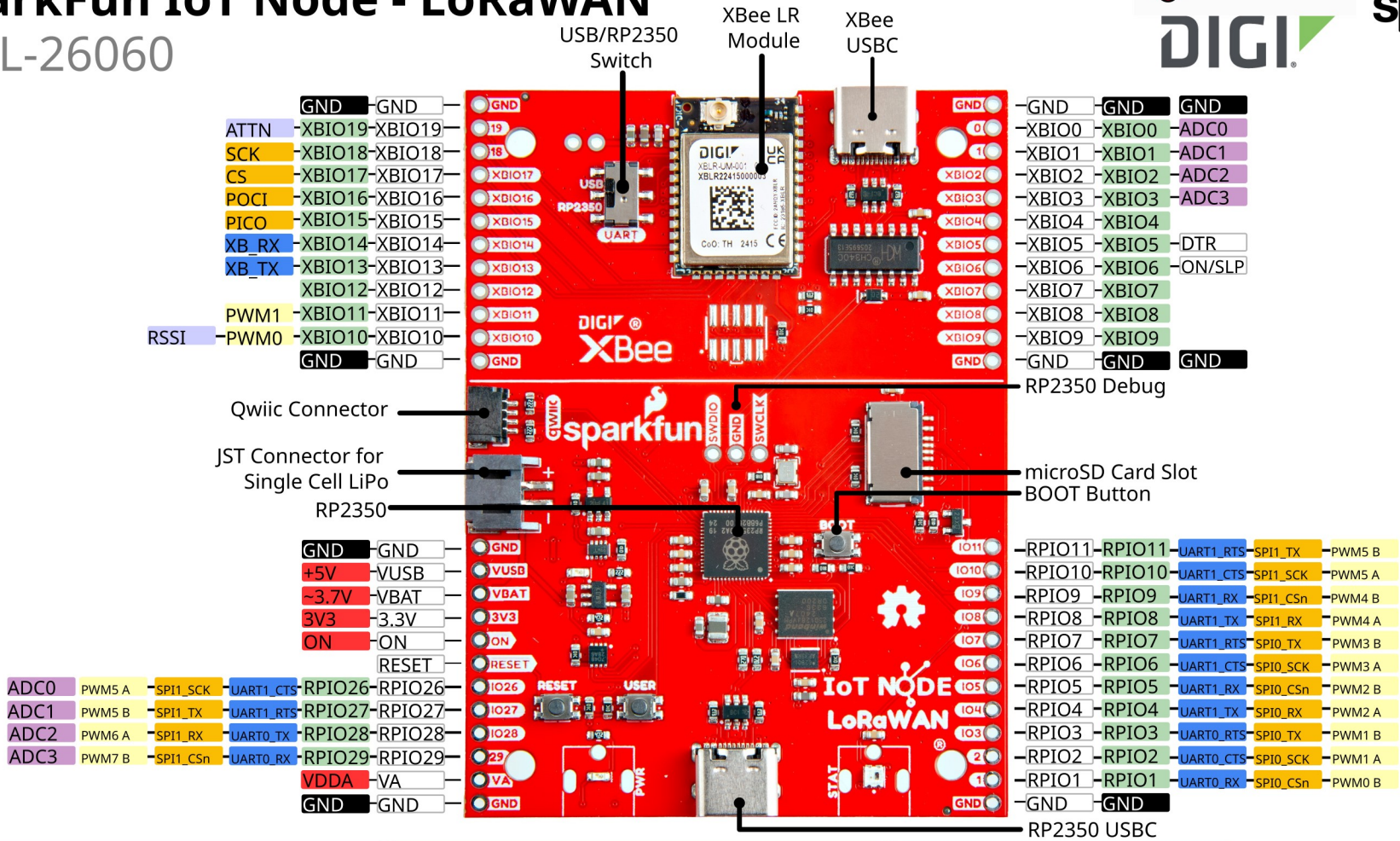


SparkFun IoT Node - LoRaWAN

WRL-26060



Power and Logic Levels

VUSB: direct to USB (5V)
VBAT: direct to LiPo battery (MCP73831 charger, 500mA default charge rate)
3V3: Output of RT9080 regulator (5.5V/600mA)
GPIO logic levels: 3.3V

Notes

.

RP2350

- Dual Cortex-M33 or Hazard3 processors at 150 MHz
- 520 kB on-chip SRAM, in 10 independent banks
- 16 MB of external QSPI flash
- 8 MB PSRAM accessible

Digi XBee LR

- LoRaWAN compatibility
- Pre-activated on the Digi X-ON cloud platform
- Modular certifications for FCC, IC, and CE standards
- Frequency Range: SM 902 to 928 MHz, 868 to 870 MHz

User Interfaces

- RESET Button
- BOOT Button
- USER Button
- UART Switch

LEDs

- Power LED: Red
- Charge LED: Yellow
- RGB LED

microSD Card

Legend

Name	ADC	PWM
Power	UART	SPI
GND	I2C	Control

