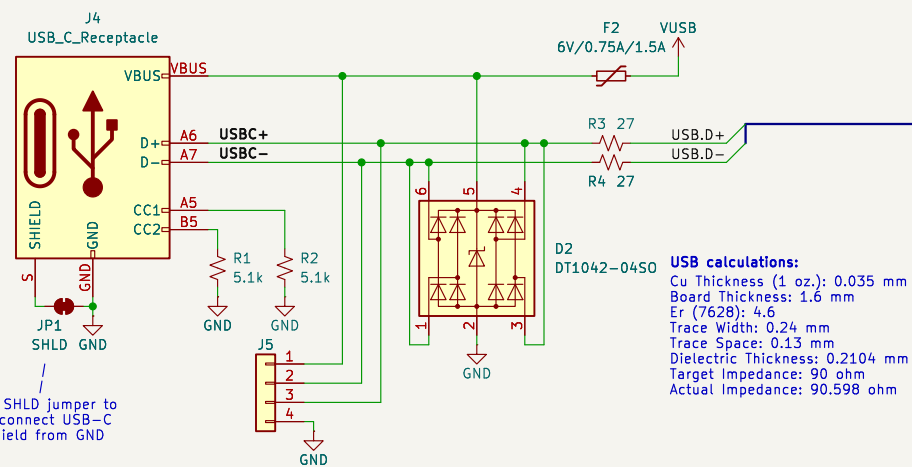
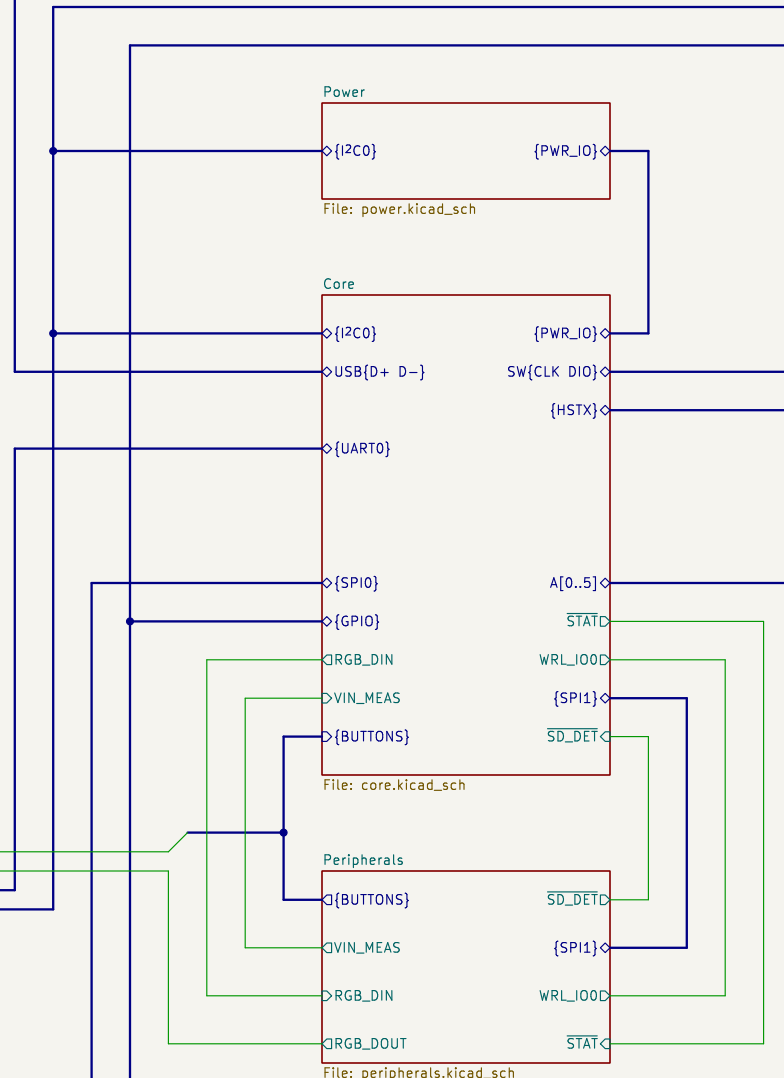


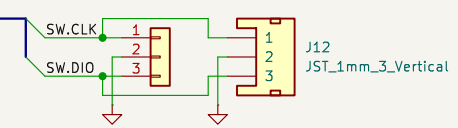
USB-C Input



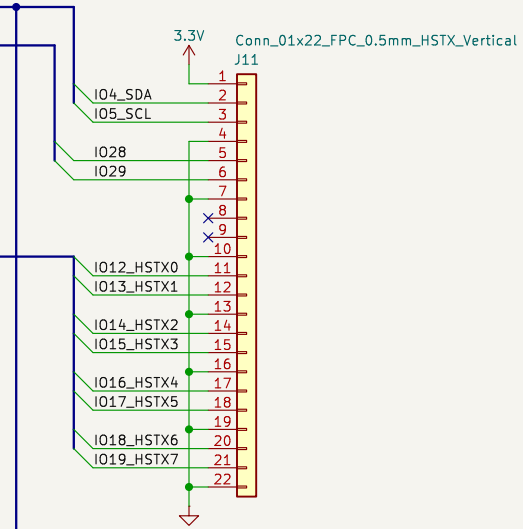
Top Level RedBoard



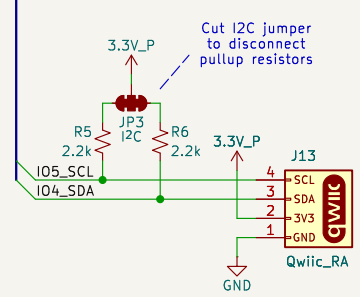
Debug Header



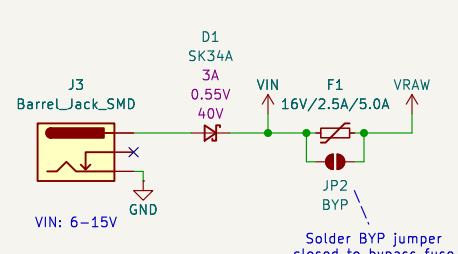
HSTX Connector



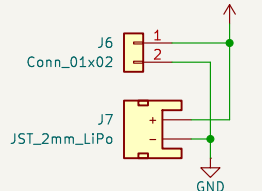
Qwiic Connector



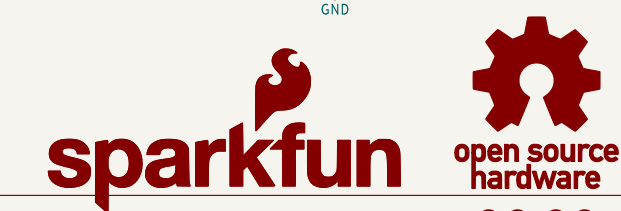
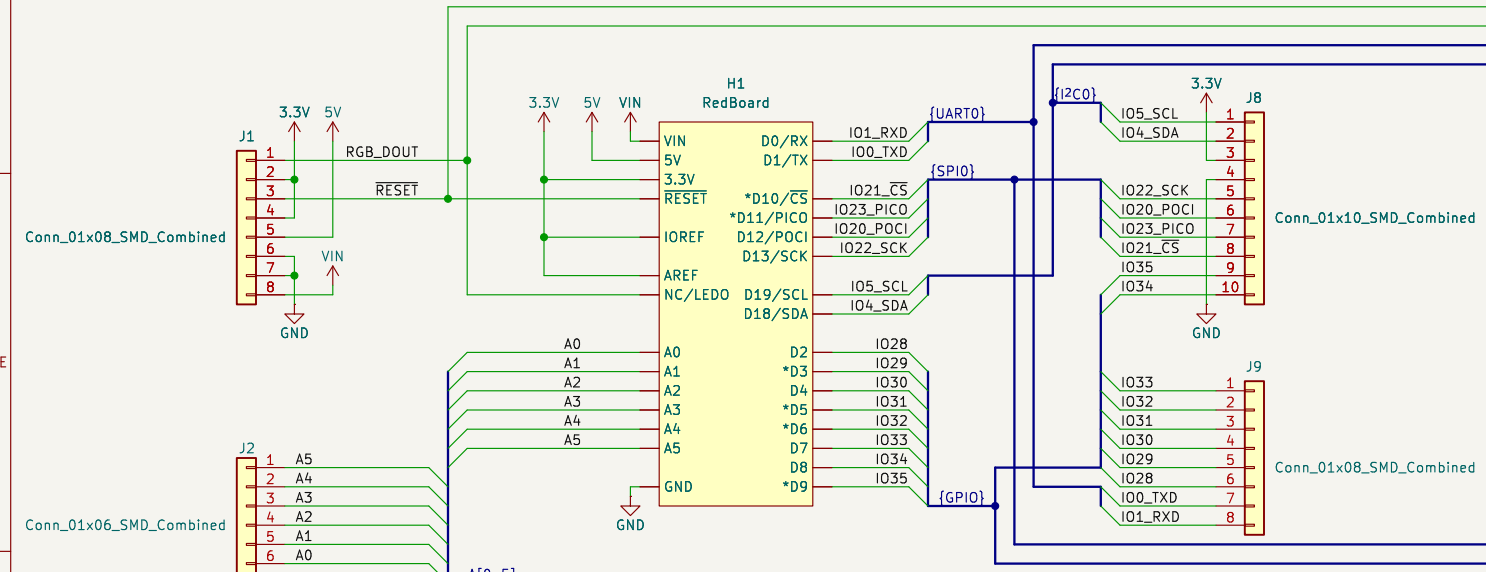
External Power Input



LiPo Battery Input

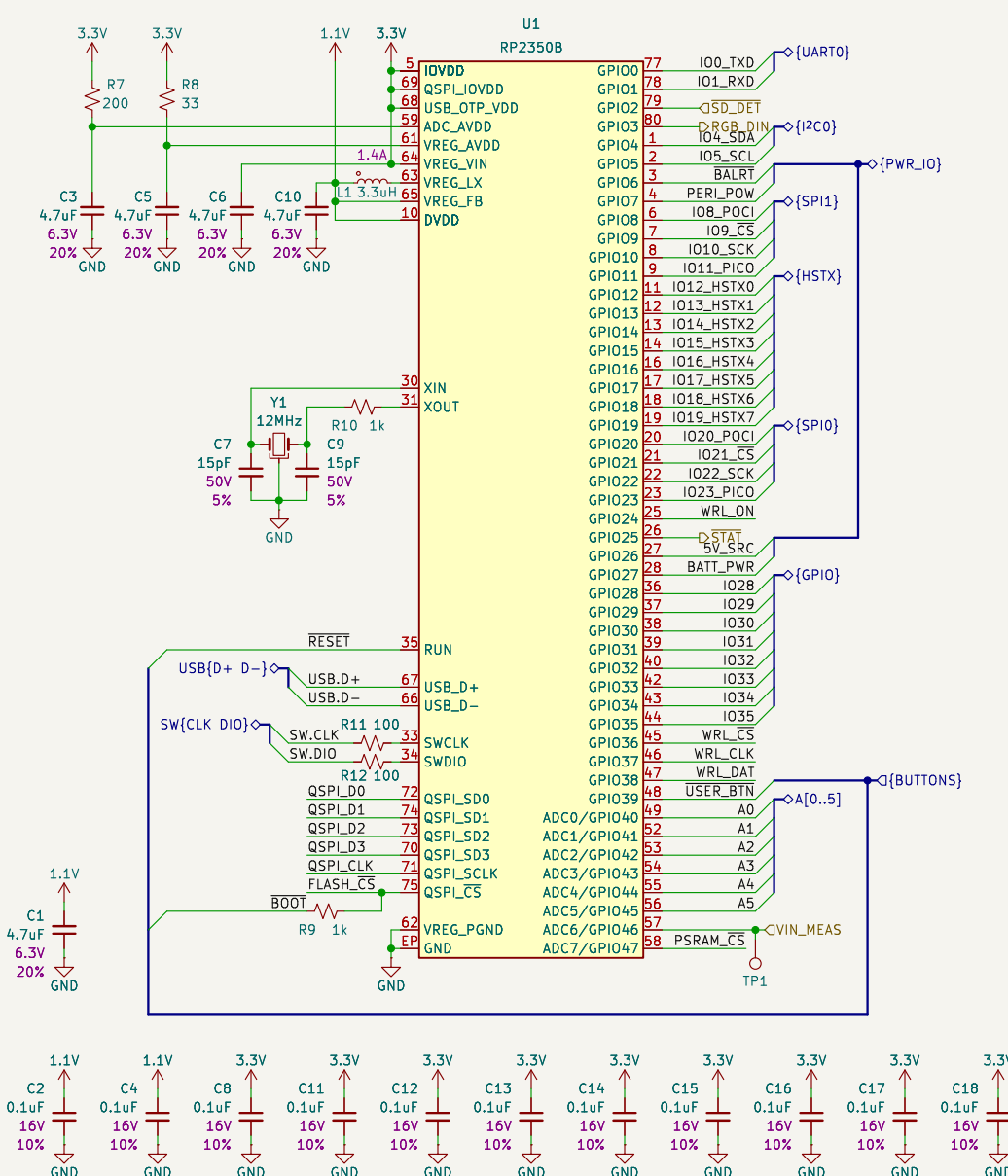


RedBoard/Arduino Pinout

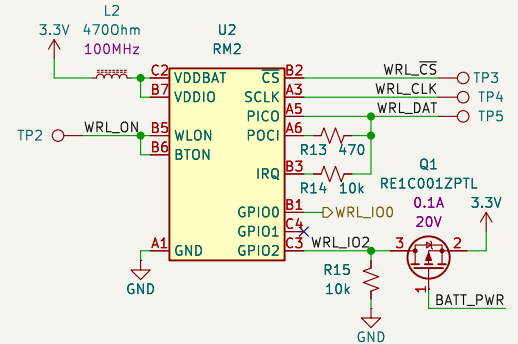


Designed by: Alex Brudner
SparkFun Electronics
 Sheet: /
 File: SparkFun_IoT_RedBoard-RP2350.kicad_sch
Title: SparkFun IoT RedBoard - RP2350 - Top Level/Connectors
 Size: USLedger Date: 2025-02-05 Rev: v10
 KiCad E.D.A. 8.0.9 Id: 1/4

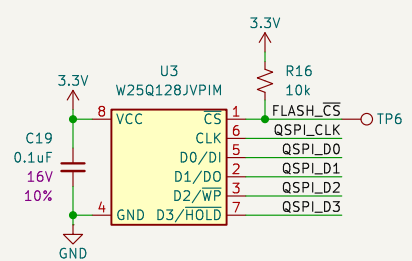
Raspberry Pi RP2350



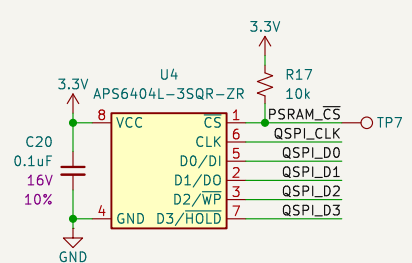
Raspberry Pi RM2 Radio Module



16MB Flash - W25Q128



8MB PSRAM - APS6404L

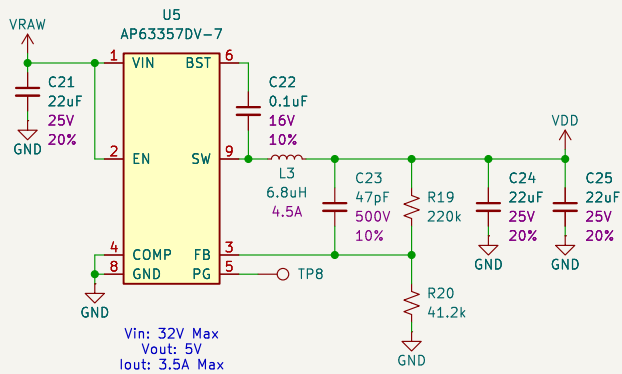


Designed by: Alex Brudner
SparkFun Electronics
 Sheet: /Core/
 File: core.kicad_sch

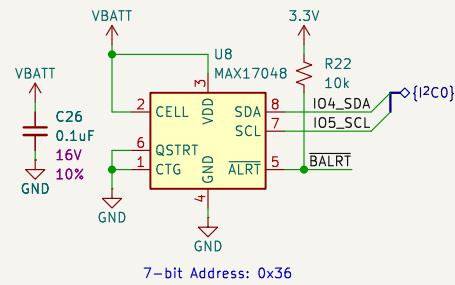
Title: Core Processor and Wireless

Size: USLetter	Date: 2025-02-05	Rev: v10
KiCad E.D.A. 8.0.9		Id: 2/4

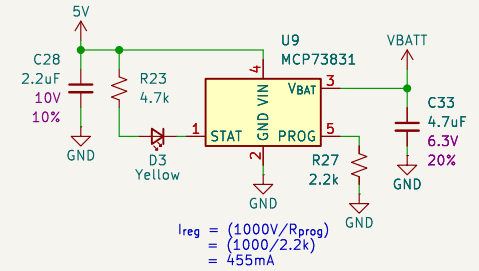
External Power 5V Regulator – AP63357



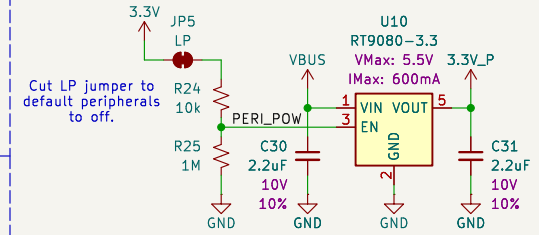
Battery Fuel Gauge – MAX17048



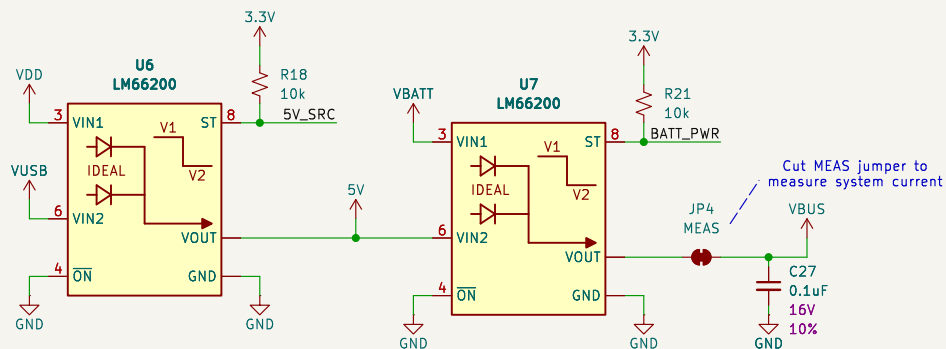
LiPo Battery Charger – MCP73831



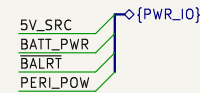
Peripheral Power – RT9080-3.3



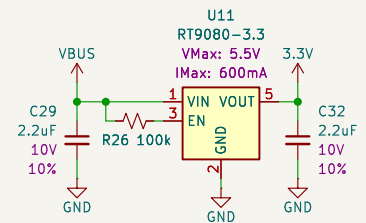
Power Selection – LM66200



Power GPIO



3.3V Regulator – RT9080-3.3



Designed by: Alex Brudner

SparkFun Electronics

Sheet: /Power/

File: power.kicad_sch

Title: Power and Battery Management

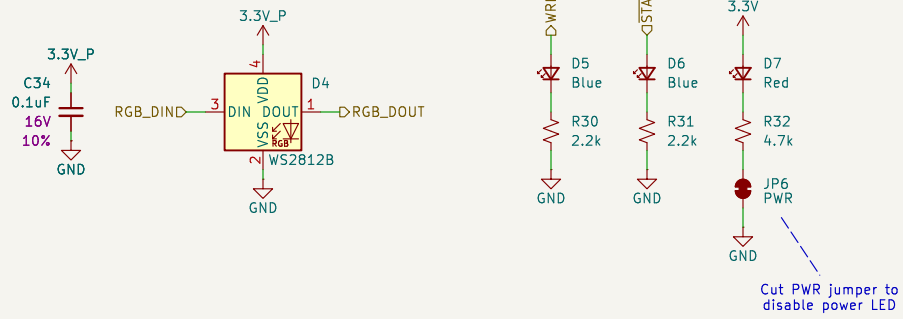
Size: USLetter Date: 2025-02-05

KiCad E.D.A. 8.0.9

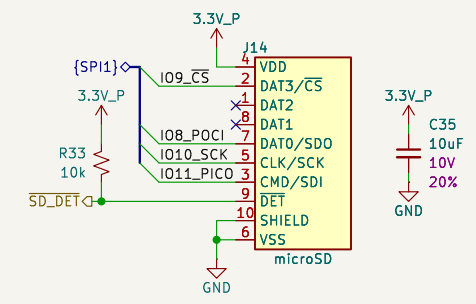
Rev: v10

Id: 3/4

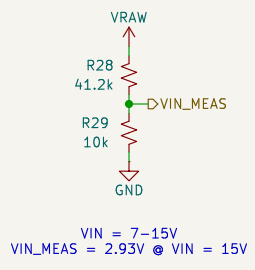
LEDs



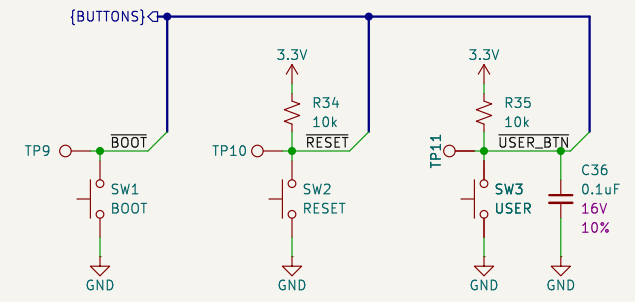
SD Card



External Voltage Input Measurement



Buttons



Designed by: Alex Brudner
SparkFun Electronics
 Sheet: /Peripherals/
 File: peripherals.kicad_sch
Title: Peripheral Components

Size: USLetter	Date: 2025-02-05	Rev: v10
KiCad E.D.A. 8.0.9		Id: 4/4