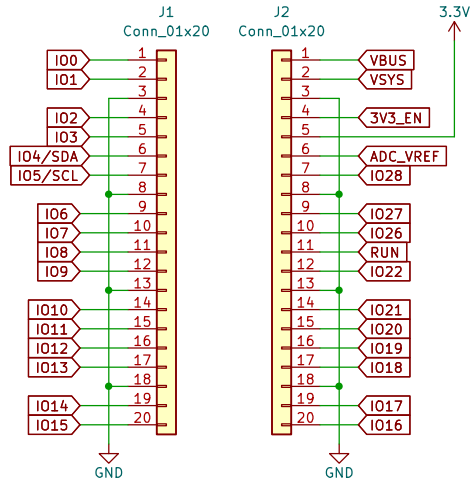
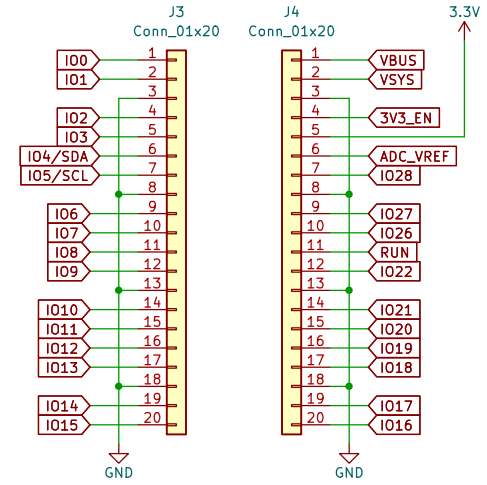


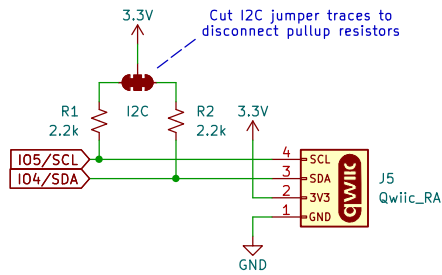
Bottom Headers



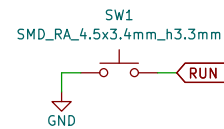
Top Headers



Qwiic Connector



Reset Button



Designed by: Dryw Wade

SparkFun Electronics

Sheet: /

File: SparkFun_Pico_Add_On_Flipper.kicad_sch

Title: SparkFun Pico Add-On Flipper

Size: USLetter Date: 2025-02-13

KiCad E.D.A. 9.0.0

Rev: v10

Id: 1/1