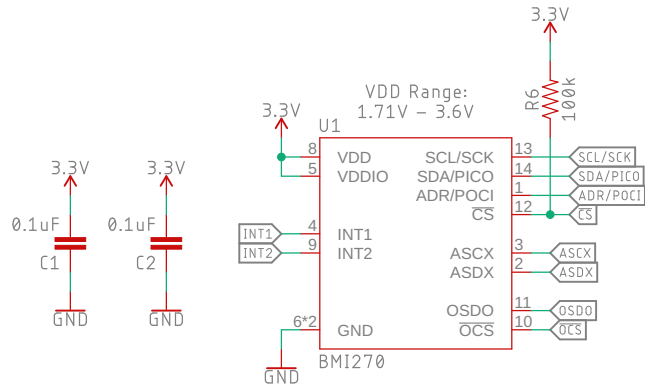
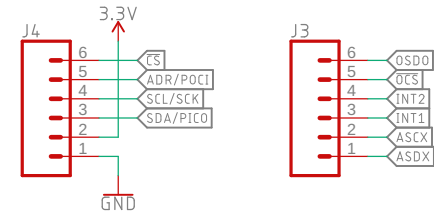


6DoF - BMI270



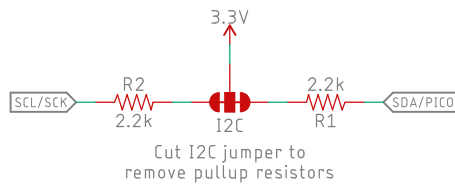
Headers



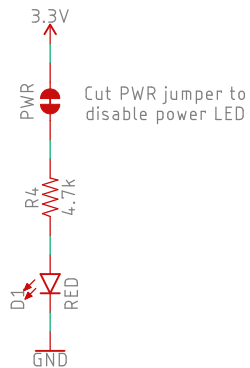
Qwiic Connectors



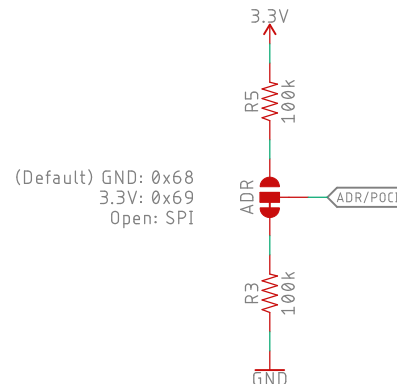
I2C Pullups



Power LED



I2C Address Selection



Released under the Creative Commons

Attribution Share-Alike 4.0 License

<https://creativecommons.org/licenses/by-sa/4.0/>



TITLE: SparkFun_Qwiic_6DoF_BMI270

Design by: Nick Poole

REV:

Revised by: Dryw Wade

v10

Date: 5/12/2023 10:29 AM

Sheet: 1/1