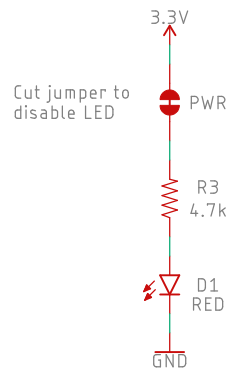
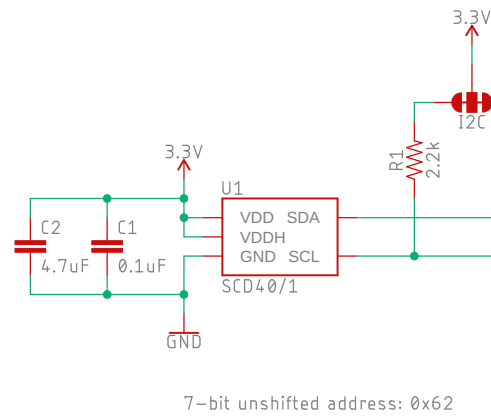


Power LED



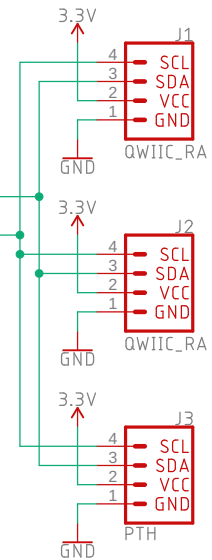
SCD4X CO2 Sensor

Input: 2.4V–5.5V
This board runs 3.3V only.



7-bit unshifted address: 0x62

Connectors



Part Number

U6
SCD40

U7
SCD41

sparkfun

open hardware
QWIIC

Released under the Creative Commons
Attribution Share-Alike 4.0 License
<https://creativecommons.org/licenses/by-sa/4.0/>



TITLE: SparkFun_Qwiic_CO2_Sensor_SCD40

Design by: N. Seidle
Revision By: Alex Brudner

REV:
v10

Date: 5/2/2023 12:23 PM

Sheet: 1/1