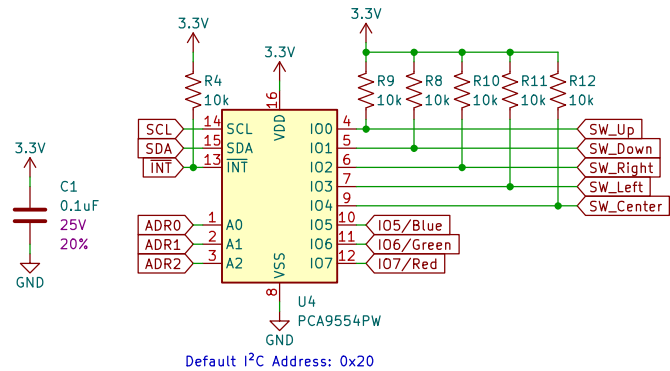


## I<sup>2</sup>C GPIO Expander

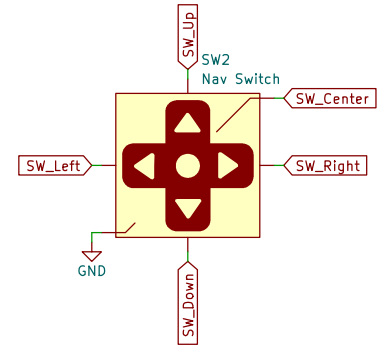


Default I<sup>2</sup>C Address: 0x20

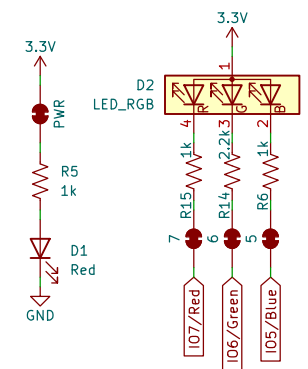
The PCA9554 is identical to the PCA9534 except for the addition of the internal I/O pull-up resistors, which prevents the ports from floating when configured as inputs. Pull-ups are still used in this design so that the '34 can be used if needed.

The PCA9554 is similar to the PCA9557 except the '54 has an INT pin whereas the '57 has a RST pin. Pinouts are also different.

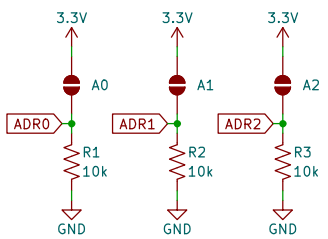
## D-Pad



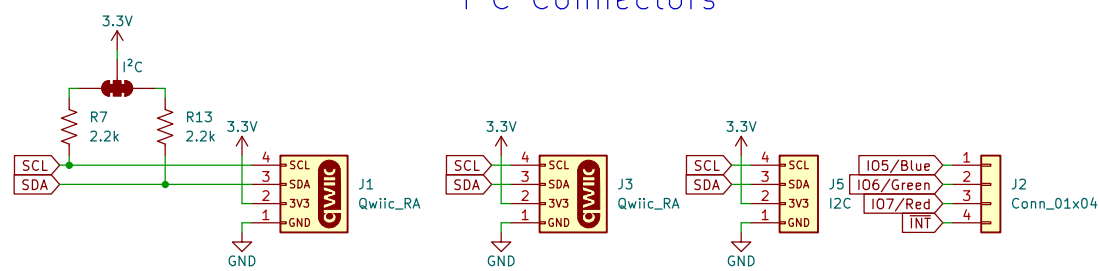
## LEDs



Address	ADR2	ADR1	ADR0
0x20	0	0	0
0x21	0	0	1
0x22	0	1	0
0x23	0	1	1
0x24	1	0	0
0x25	1	0	1
0x26	1	1	0
0x27	1	1	1



## I<sup>2</sup>C Connectors



Designed by: N. Seidle

Sheet: /	
File: SparkFun_Qwiic_Navigation.kicad_sch	
<b>Title: SparkFun Qwiic Navigation</b>	
Size: USLetter	Date: 2024-11-09
KiCad E.D.A. 8.0.4	Rev: v11
	Id: 1/1