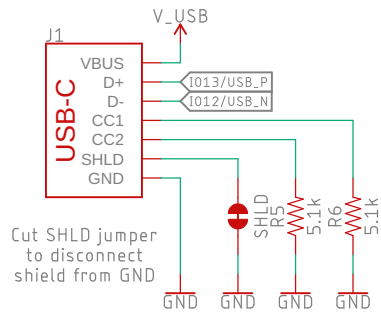
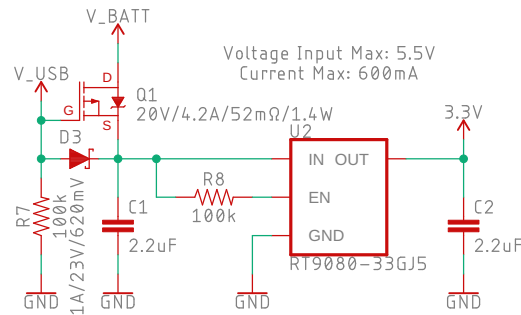


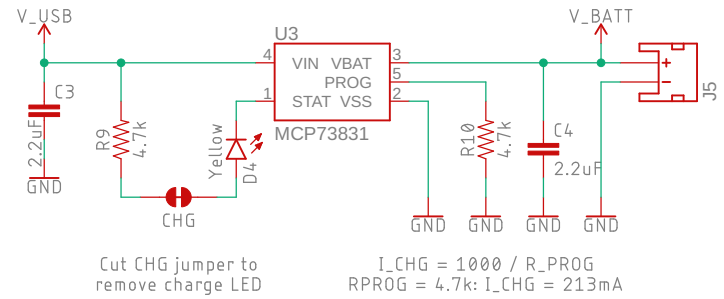
USB Connector



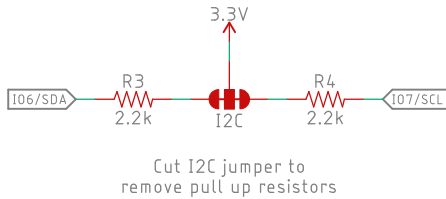
3V3 Regulator



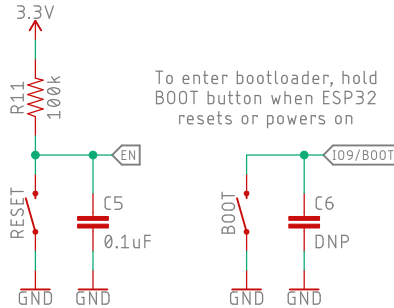
Battery Charger



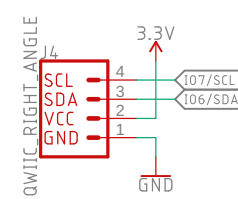
I2C Pullups



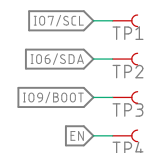
Buttons



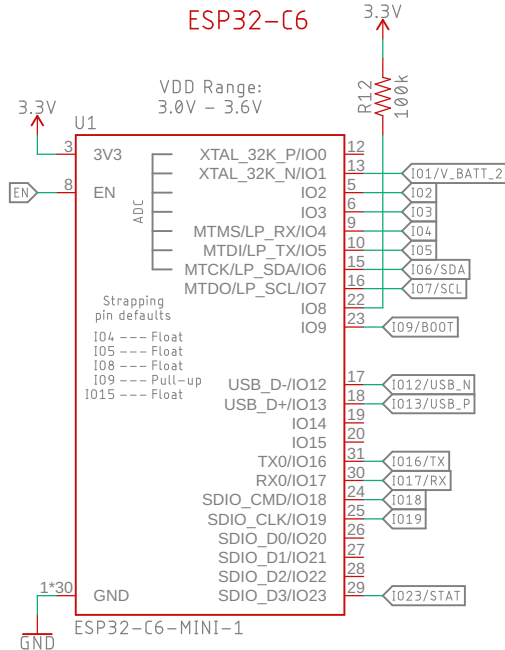
Qwiic Connector



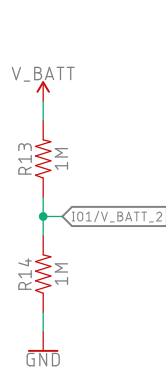
Test Points



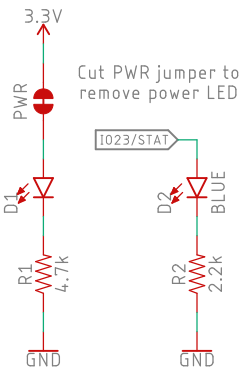
ESP32-C6



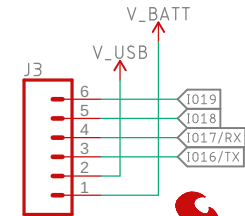
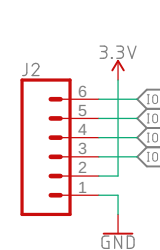
Battery Voltage



LEDs



Headers



Released under the Creative Commons Attribution Share-Alike 4.0 License
<https://creativecommons.org/licenses/by-sa/4.0/>

TITLE: Qwiic_Pocket_Dev_ESP32_C6

Design by: Dryw Wade

REV:
v10

Date: 9/27/2023 4:23 PM

Sheet: 1/1