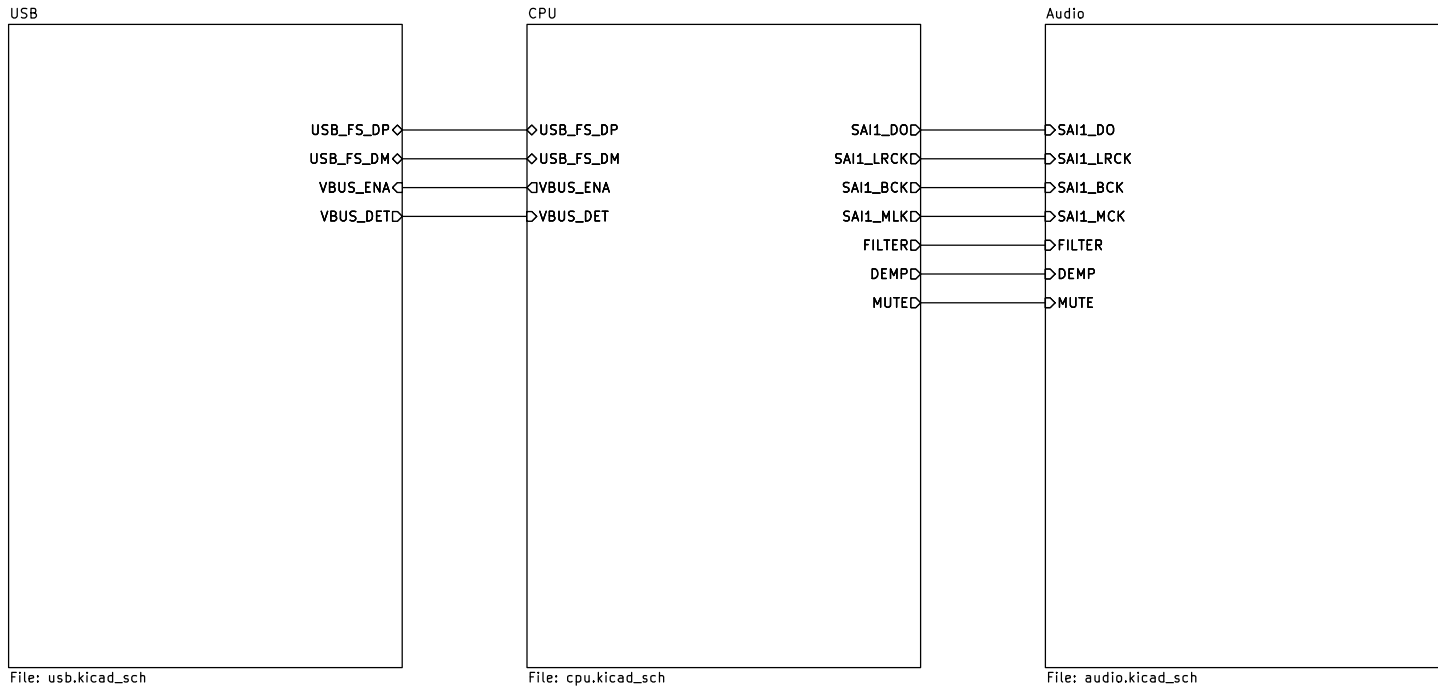


SparkFun Qwiic WAV Trigger Pro



[Ordering Instructions](#)

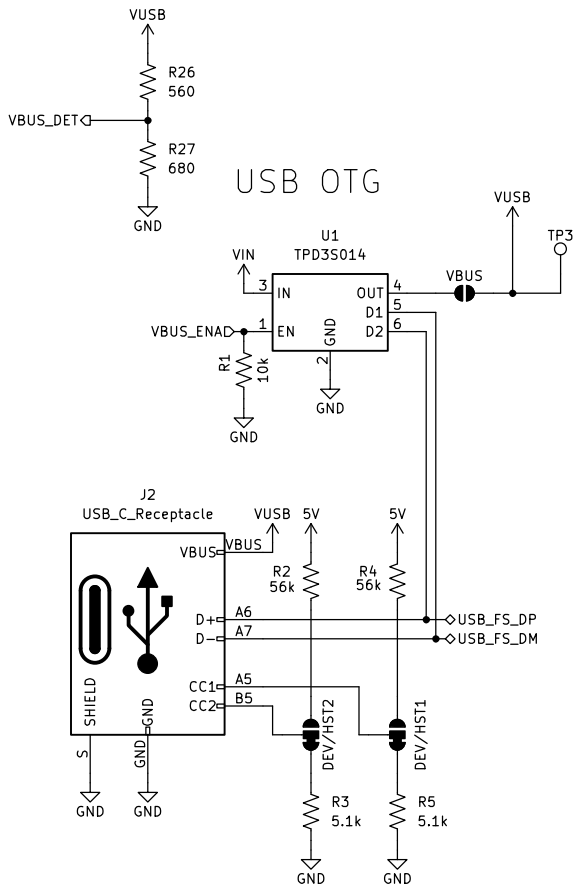
⊗ ⊗ ⊗ ⊗
○ ○ ○ ○

Robertsonics / SparkFun

Sheet: /
File: SparkFun_Qwiic_WAV_Trigger_Pro.kicad_sch

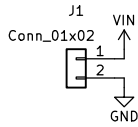
Title: SparkFun Qwiic WAV Trigger Pro

| | | |
|--------------------|------------------|----------|
| Size: USLetter | Date: 2024-10-30 | Rev: 1.0 |
| KiCad E.D.A. 8.0.5 | | Id: 1/4 |

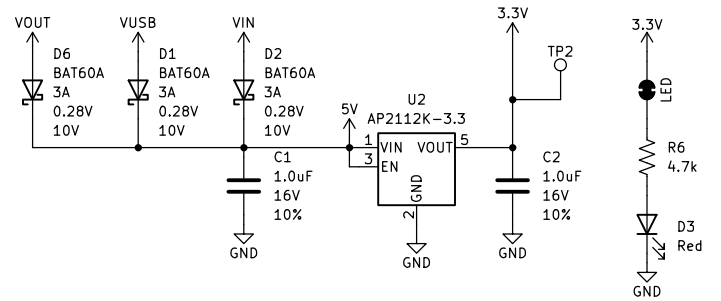


| USB Function | DEV/HST1 | DEV/HST2 | VBUS | Default |
|--------------|----------|----------|--------|---------|
| MIDI Device | DEV | DEV | Open | |
| MIDI Host | HST | HST | Closed | |

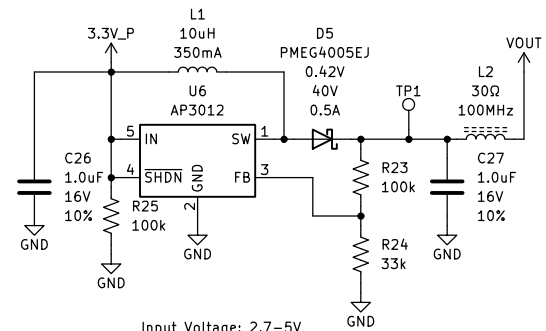
External Power



Voltage Regulation



5V Boost



Input Voltage: 2.7-5V
 Max Current: 350mA
 $V_{out} = 1.25 \cdot (1 + R1/R2)$
 $R1 = (V_{out} \cdot 0.8 - 1) \cdot R2$
 $R1 = 100k / R2 = 33k$

Robertsonics / SparkFun

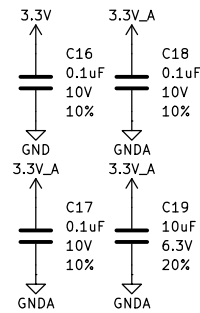
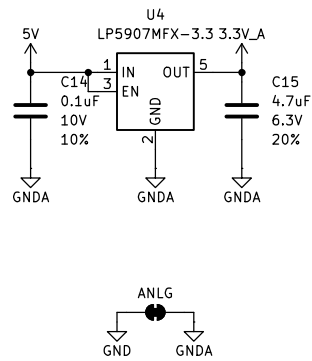
Sheet: /USB/
 File: usb.kicad_sch

Title: SparkFun Qwiic WAV Trigger Pro

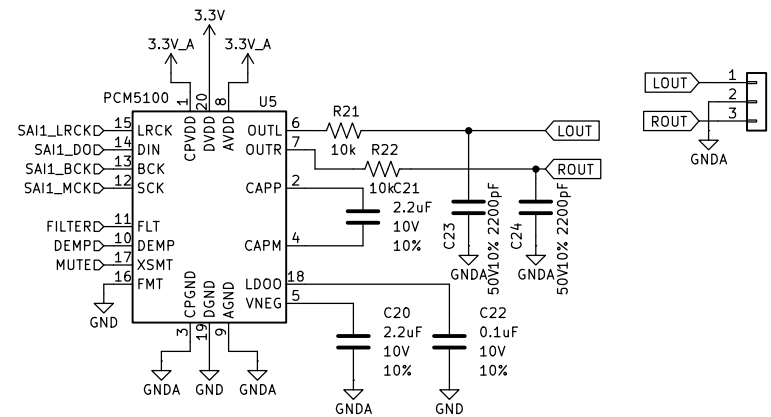
Size: A Date: 2024-10-30
 KiCad E.D.A. 8.0.5

Rev: 1.0
 Id: 2/4

Audio Regulator



Audio DAC



Robertsonics / SparkFun

Sheet: /Audio/

File: audio.kicad_sch

Title: SparkFun Qwiic WAV Trigger Pro

Size: A Date: 2024-10-30

KiCad E.D.A. 8.0.5

Rev: 1.0

Id: 4/4