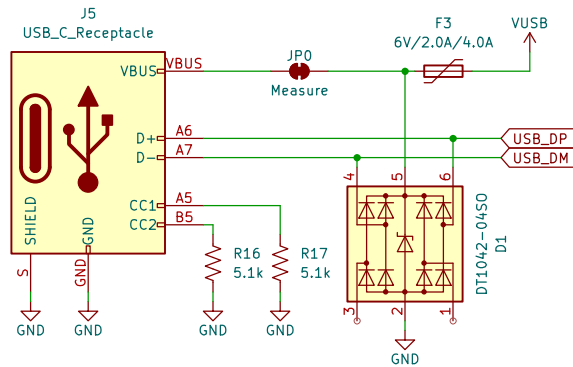
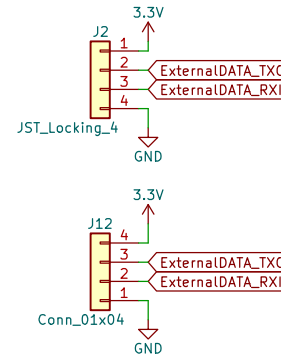


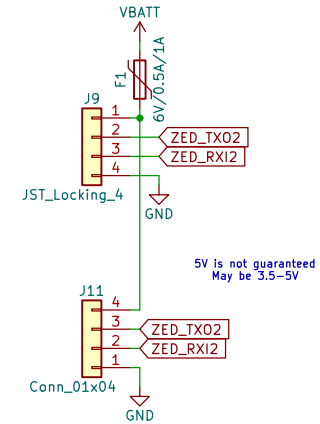
USB / Power



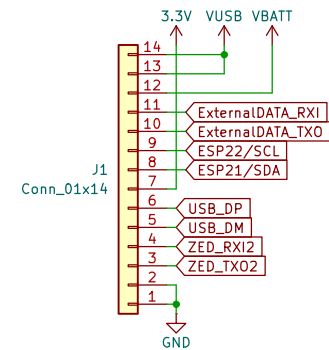
Serial Config NMEA Out



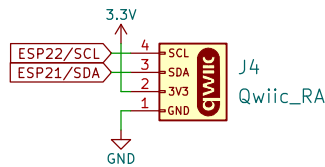
External Radio RTCM In/Out



To Main Board



Qwiic



Designed by: N. Seidle

Sheet: /
File: SparkFun RTK Facet - External Connector.kicad_sch

Title: SparkFun RTK Facet - External Connector

Size: USLetter | Date: 2024-09-25
KiCad E.D.A. 8.0.6

Rev: v13
Id: 1/1