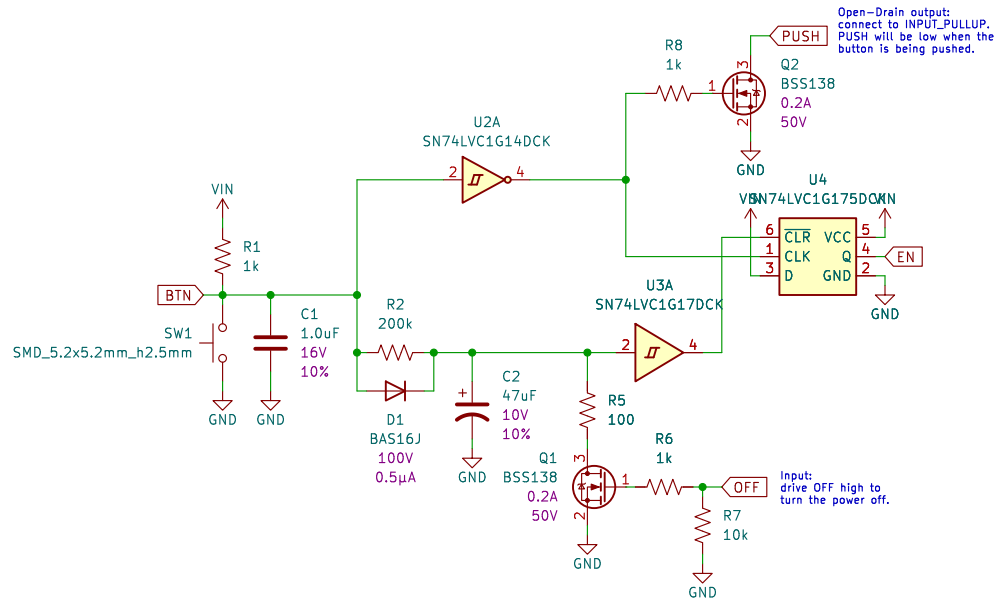
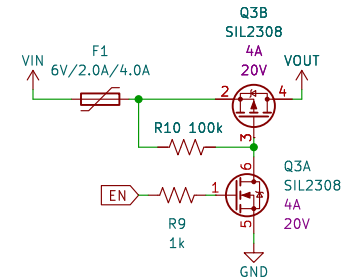


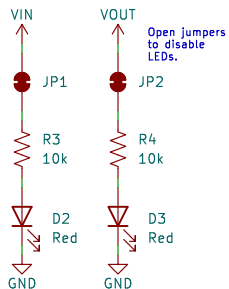
Soft Power Switch



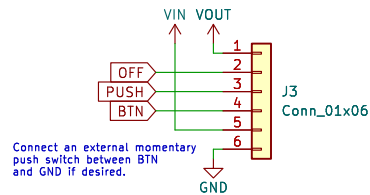
High Side Switch



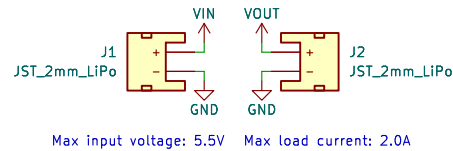
LEDs



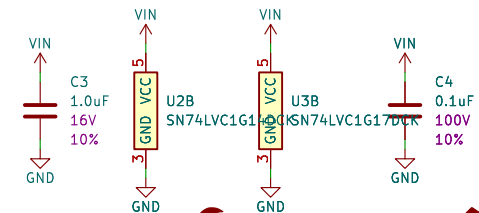
Breakouts



JST 2mm



Power



Based on:

<https://www.ti.com/lit/pdf/scea048>

Designed by: Paul Clark

Sheet: /
File: Soft_Power_Switch.kicad_sch

Title: SparkFun Soft Power Switch Mk2

Size: USLetter Date: 2024-09-30
KiCad E.D.A. 8.0.4

Rev: v10
Id: 1/1