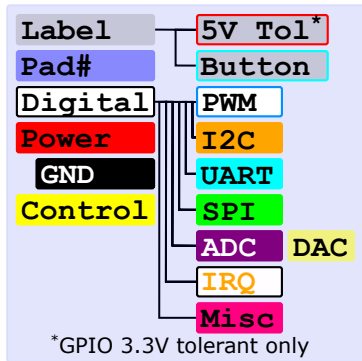
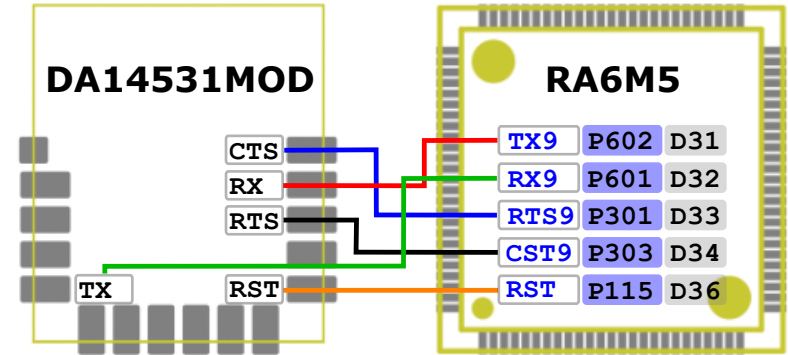
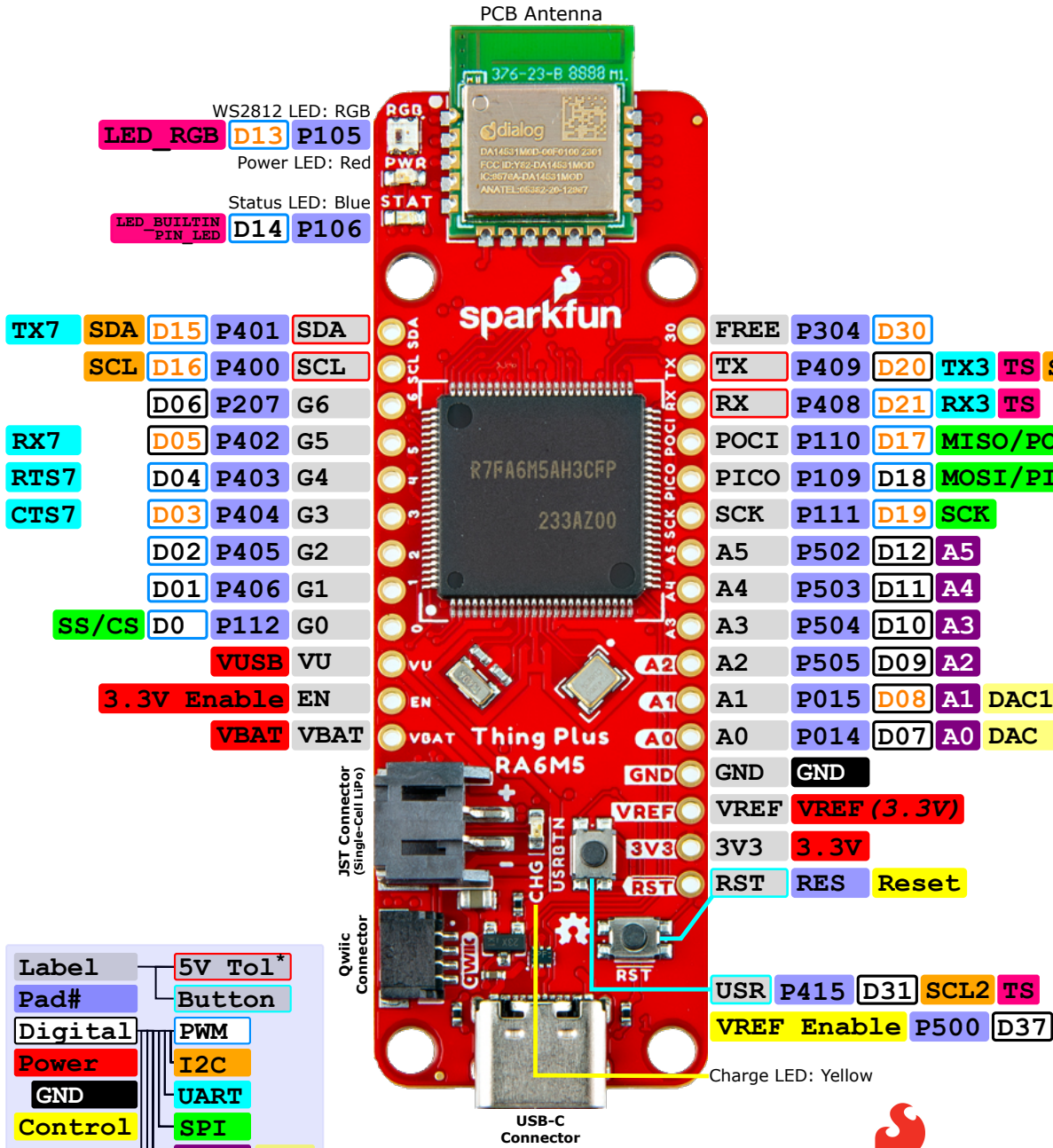


# SparkFun RA6M5 Thing Plus (WRL-24243)



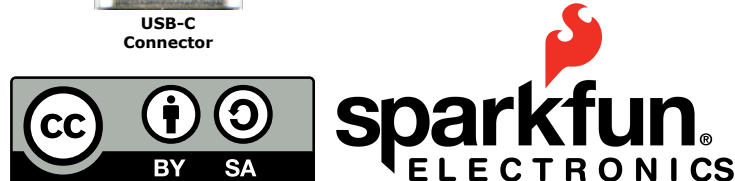
**RA6M5**  
**Arm® Cortex®-M33**  
 • Clock: 200MHz (max.)  
 • Memory:  
 • Code: 2MB  
 • Data: 8KB  
 • SRAM: 512KB  
 • QSPI Flash: 16MB  
 • Error Correction Code  
 • CRC Calculator  
 • Watchdog Timers (x2)  
 • RTC with Calendar  
 • Arm Memory Protection Unit  
 • Secure Crypto Engine

**DA14531MOD**  
**Arm® Cortex® M0+**  
 • Clock: 16MHz (max.)  
 • Memory:  
 • Flash: 128Kbit  
 • RAM: 48Kbit  
 • ROM: 144Kbit  
 • OTP: 32Kbit

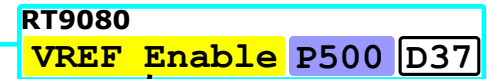
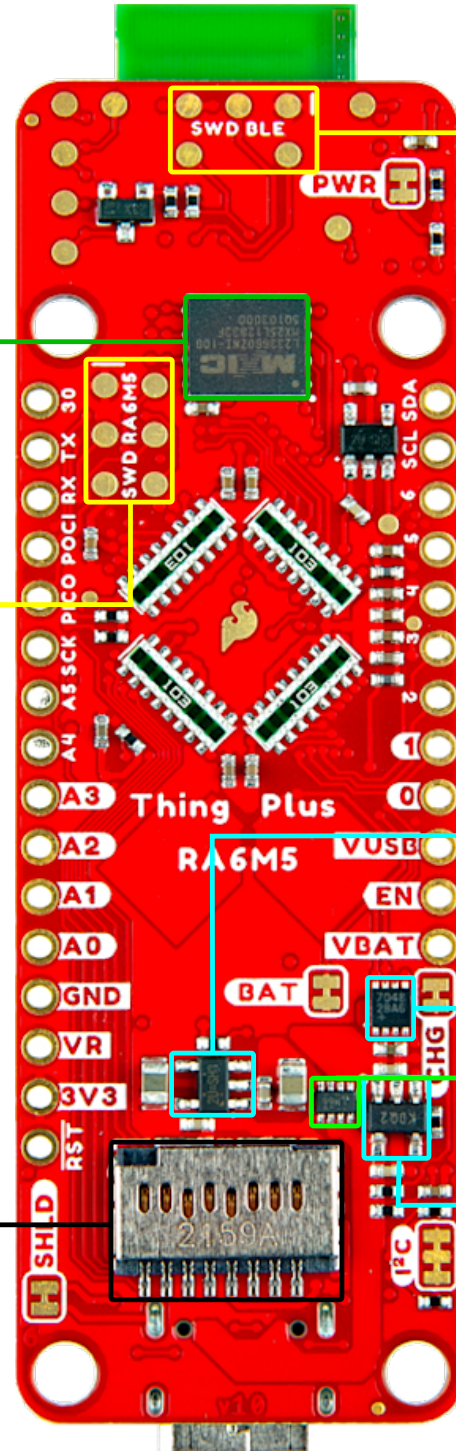
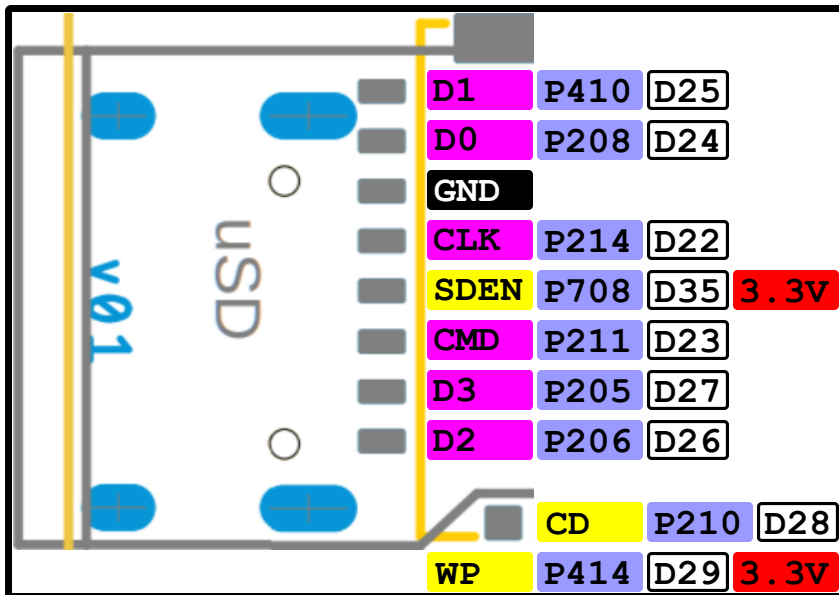
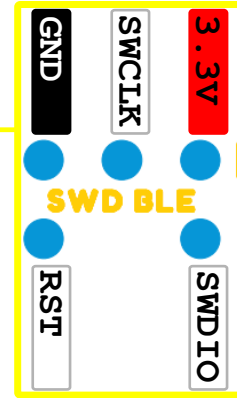
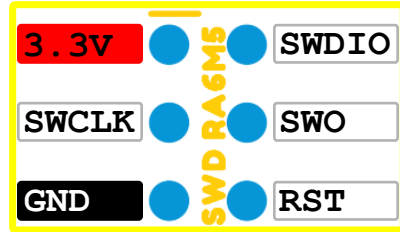
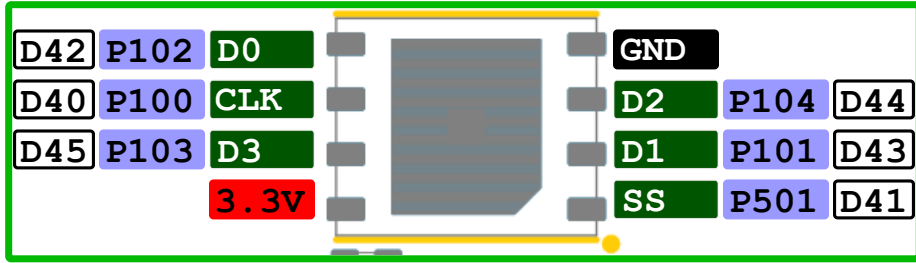
**Bluetooth 5.1**  
 • Up to three connections  
 • Power: -19 to +2.2dBm  
 • Sensitivity: -93dBm

**GPIO Pins (x75):**  
 • 5V Tolerant (x14)  
 • 12-bit ADC (x6)  
 • 12-bit DAC (x2)  
 • 32-bit PWM Channels (x4)  
 • 16-bit PWM Channels (x6)  
 • UART (x10)  
 • I2C Bus (x3)  
 • SPI Bus (x2)  
 • QSPI (x1)  
 • OSPI (x1)  
 • CAN Interface  
 • USB 2.0 (Full/High Speed)  
 • SD/MMC Host Interface  
 • Serial Sound Interface  
 • Capacitive Touch Sensing  
 • Consumer Electronics Control

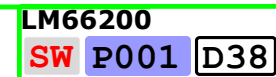
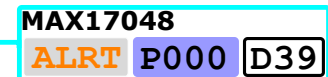
**Power:**  
 • Operating Voltage:  
 • RA6M5: 3.0-3.6V  
 • DA14531: 1.8-3.6V  
 • Current Consumption:  
 • RA6M5:  
 • Max: 143mA (peak)  
 • Normal: 32mA  
 • Sleep: 11mA  
 • Deep-Sleep: 10-150µA  
 • DA14531:  
 • Transmit: 4mA  
 • Receive: 2mA  
 • Sleep: 1.8µA  
 • Batt. Charge Rate: 213mA



# SparkFun RA6M5 Thing Plus (WRL-24243)



VREF (3.3V)



MCP73831  
Charge Rate: 213mA