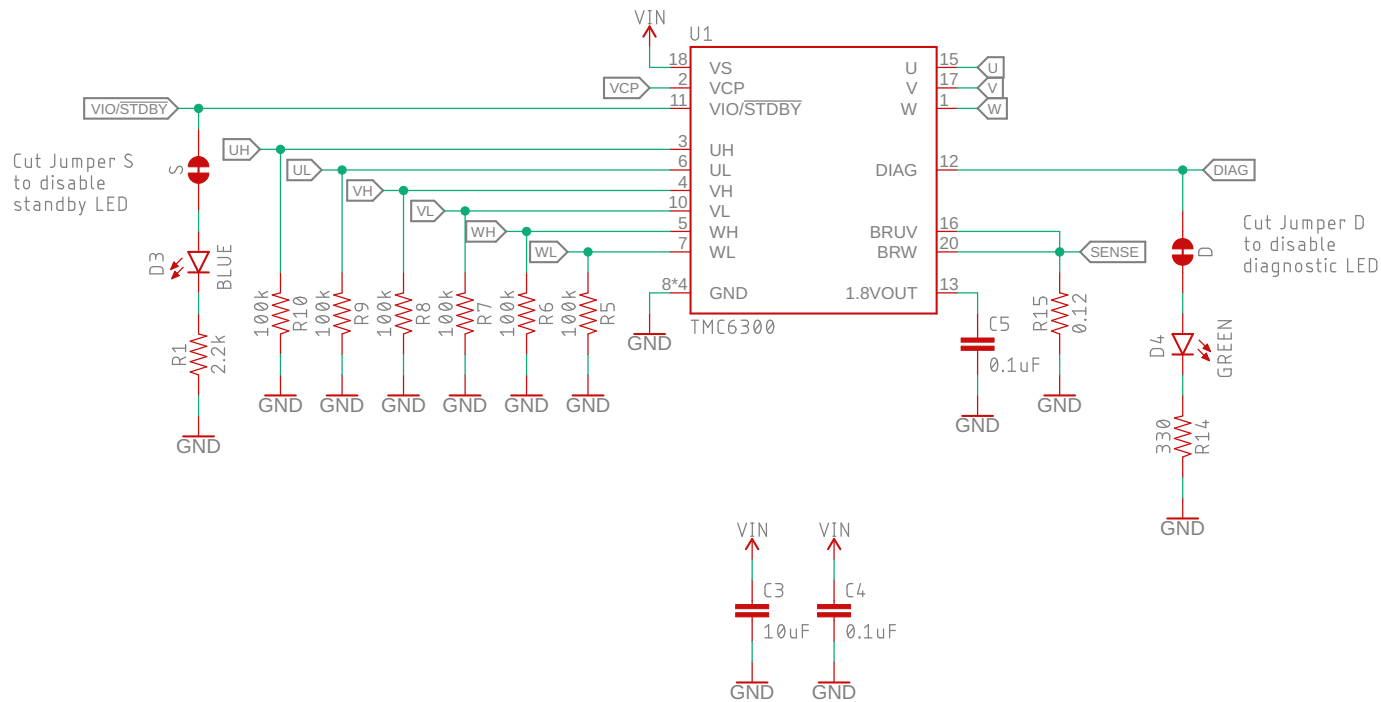
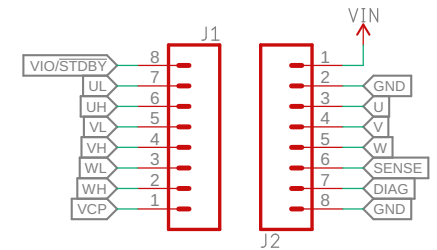


## 3-Phase Brushless Motor Driver

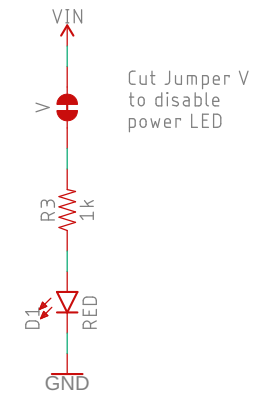
Input Range: 2V to 11V  
I/O Supply: 2 - 5.25V  
Max Current: 2A



## 0.1" Headers



## Power LED



Released under the Creative Commons Attribution Share-Alike 4.0 License  
<https://creativecommons.org/licenses/by-sa/4.0/>



TITLE: SparkFun\_TMC6300\_Breakout

Special Instructions

Design by: N. Seidle  
Revised by: M. Chodikov

REV:  
v10

Date: 3/23/2023 6:07 PM

Sheet: 1/1