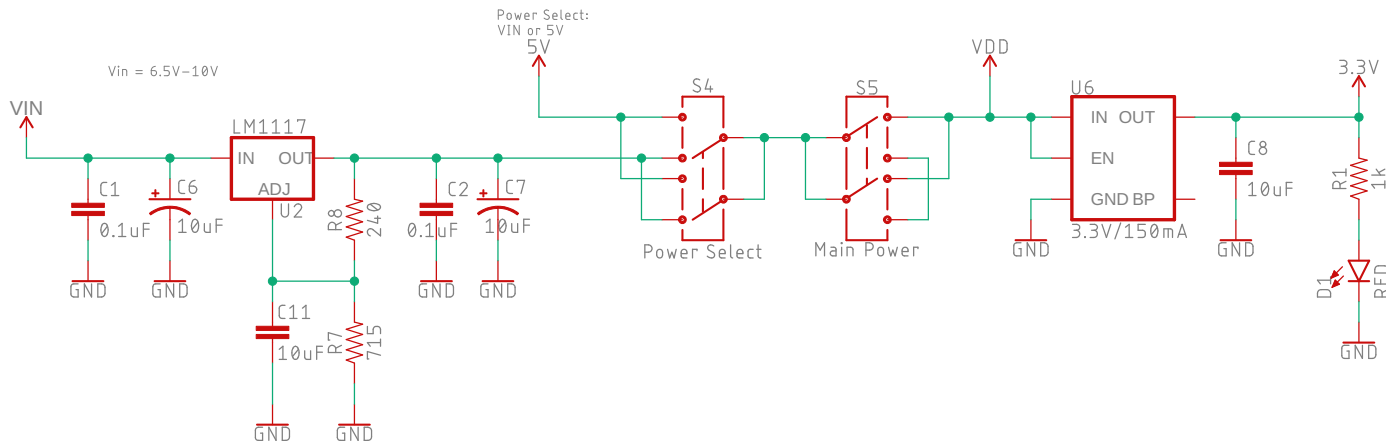
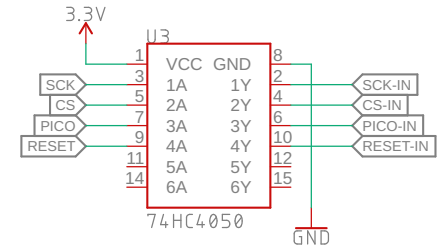


## Power Select & Regulator

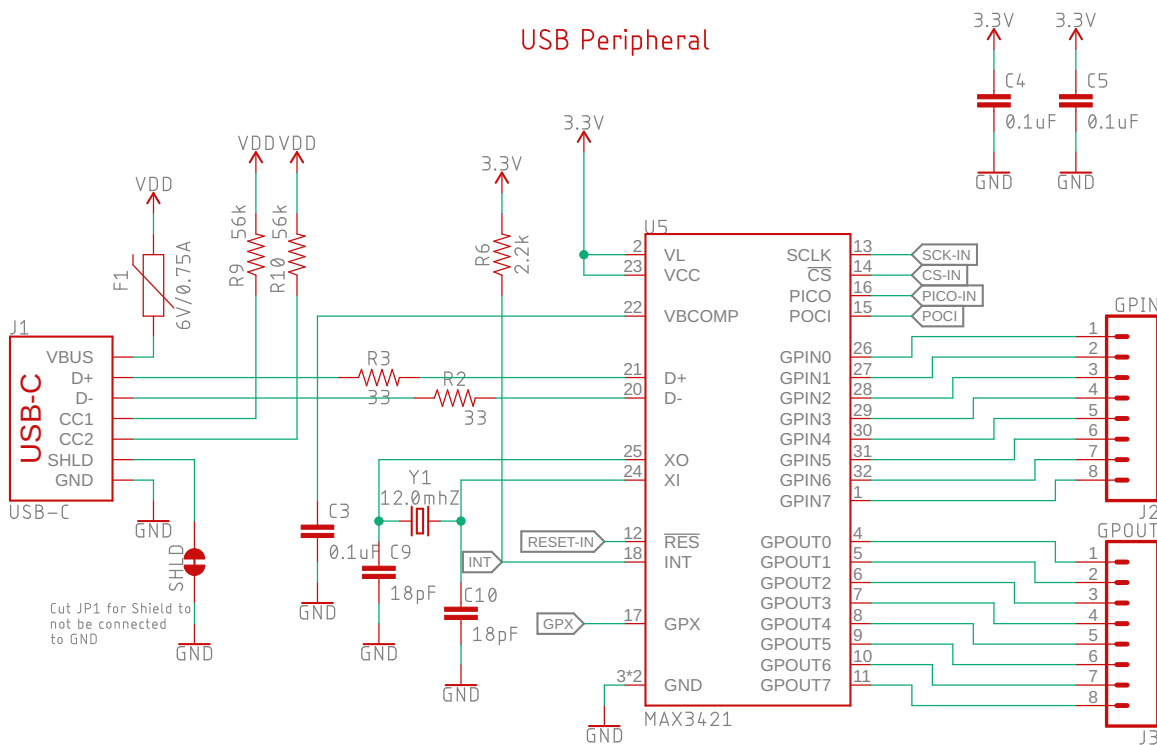


## Hex Inverter

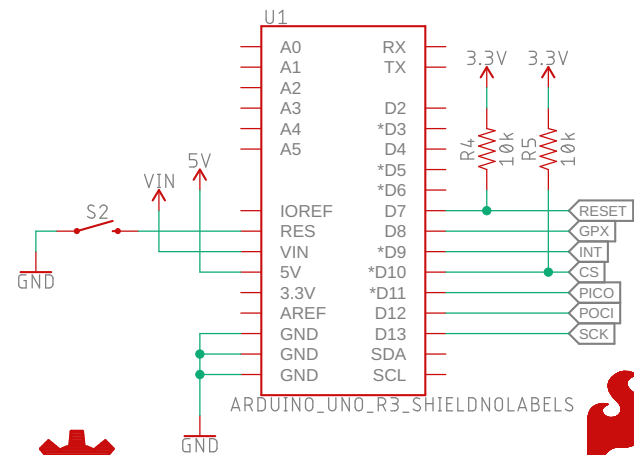
Translate 5V Arduino signals to 3.3V for the MAX3421



## USB Peripheral



## Arduino Shield



open hardware

sparkfun

Released under the Creative Commons Attribution Share-Alike 4.0 License  
<https://creativecommons.org/licenses/by-sa/4.0/>

TITLE: USB-C\_Host\_Shield

Design by: A. Weiss  
 Revision By: M. Chodikov

REV:  
v10

Date: 2/23/2023 1:33 PM

Sheet: 1/1