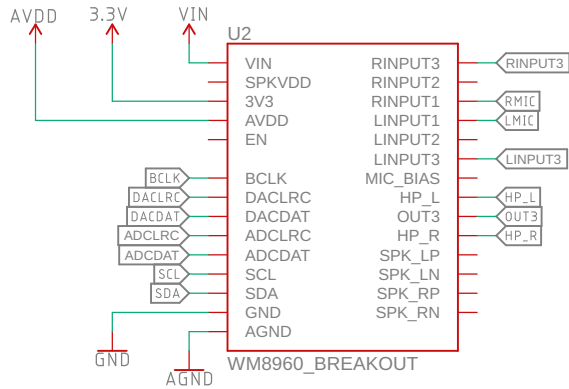
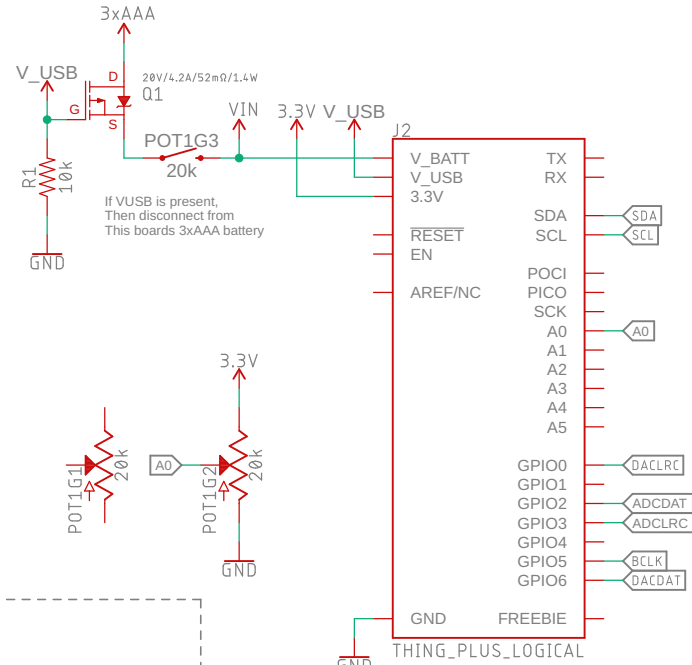


Audio Codec



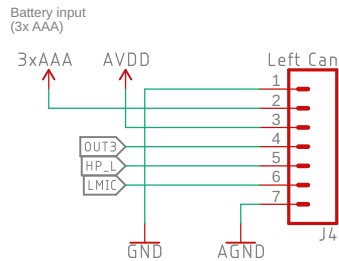
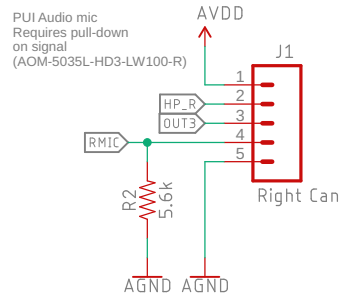
Microcontroller



*Thing Plus C has boot strap pins on GPIO1 and 4



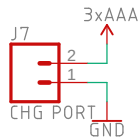
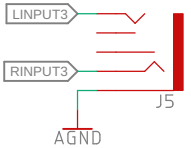
Headers and connectors



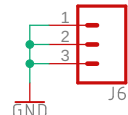
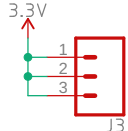
Left Mic Pull-down
Should live very close to the mic inside the left ear can.

PUI Audio mic
Requires pull-down on signal (AOM-5035L-HD3-LW100-R)

AUDIO_JACK_3.5MM_SMD



Extra headers to wire up more pots on ADCs
If I want more active controls



Released under the Creative Commons Attribution Share-Alike 4.0 License https://creativecommons.org/licenses/by-sa/4.0/		Special Instructions	
TITLE: Super_Headphones			
Design by: Pete Lewis			REV: v20
Date: 8/23/2023 2:15 PM			Sheet: 1/1